

Signify Dynalite



Inspired design, ultimate control

Beautiful interface solutions with user-friendly functionality for every interior

US/ANZ Version

Contents

Panel Feature Overview	P3
Panel Finishes	P4
Array Design Language	P5
DirectSet	P6
Revolution	P8
Antumbra UI Series	P10
Antumbra Button	P11
Antumbra Display	P12
GlassTouch	P13
Touchscreens	P15
Mobile Apps	P17
Design Studio	P19
Technical Information	P20



Our Panel Features



Intuitive interaction, tactile feedback

Large, clean buttons provide a canvas to create intuitive, simple interfaces that match your style.

Major/Minor button options help relay the importance of primary functions such as master buttons, while a positive tactile 'click' gives the user an instinctive confirmation of their action.



Back-lit halo and status indicators

An easy to use interface in daylight or darkness. Text and icons are laser cut into the fascia in black or white to contrast with the button colour and finish.

Indicator back lighting can be off, dim or bright to indicate the functional state of the button or use the integrated light sensor to adjust the relative brightness throughout the day.



Back-lit buttons

RGB backlit buttons can be independently configured from an endless colour palette, responding dynamically to a button press or system event.

The backlights fade when Revolution is not in use, enabling the panel to blend into its environment, reducing light pollution and conserving energy.



Post-installation changes

Display graphics, time-out periods, behaviours or scene settings can easily be changed over the network after install using Dyalite's bulk update tool.



Beautiful materials that match

Our user interfaces allow for complete design and finish uniformity across the room, including thermostat, room status, lighting, fan and curtain controls.

Matching electrical accessories complete the room with the same finishes including power, data and AV outlets for a simple unified approach.



Multi language and icon labeling

Button labelling is available in a choice of Arabic, Chinese, English, Hebrew, Japanese and Korean with font size options.

Select from the icon library for a visual representation of button functions that transcends language barriers



Proximity and ambient light sensors

Discreet proximity and ambient light sensors bring the panel to life when a user approaches in darkness featuring back-lit text and icons or a soft 'halo' of light.

This seamless and automatic behaviour is immediately intuitive for users, fading back to darkness when they move away for a complete blackout overnight.



Temperature and humidity sensors

Discreet temperature and humidity sensors in every panel, provide seamless interactions and specific local data for climate control.

Stunning finishes

Revolution and Antumbra finishes combine style and durability. They are scratch- and fingerprint-resistant and easy to clean. In addition, Antumbra provides the option to mix and match different rim colours.

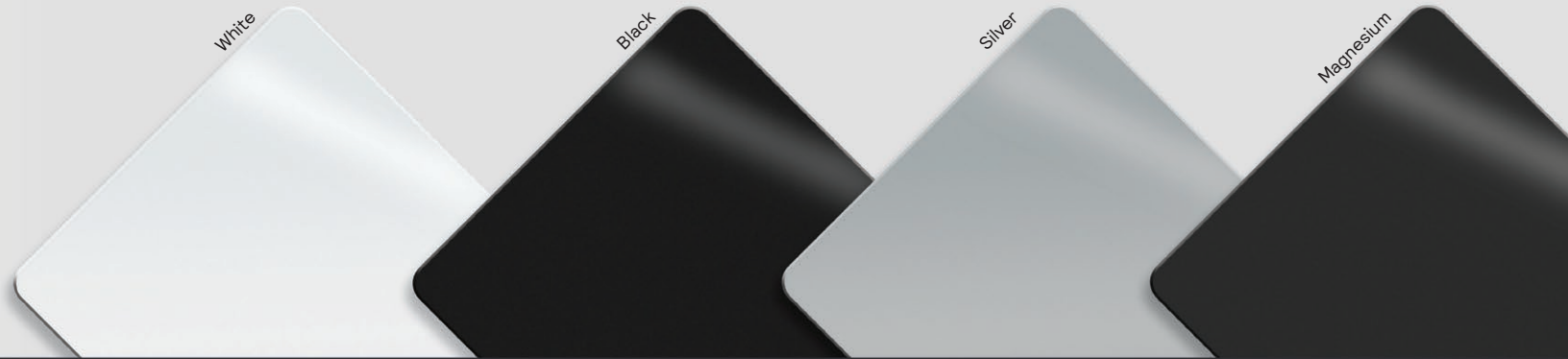
Satin

Hybrid layered PVD finish. Coloured buttons have a brushed metal look



Laquer

High-gloss polycarbonate



Luxe

Solid brushed aluminium anodised into six standard finishes



DirectSet

Versatile preconfigured
digital button panels

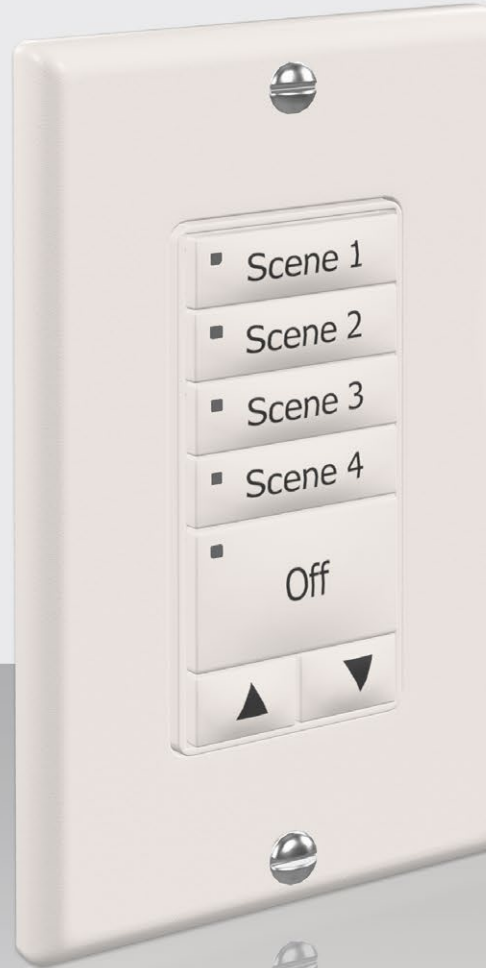


DirectSet

The Dynalite DirectSet range of preconfigured button user interfaces adds simple, reliable controls to Dynalite projects. Built-in dual RJ45 ports provide hassle-free wiring termination, while the familiar single-gang form factor ensures seamless installation.

Preloaded with multiple button configurations from three to eight buttons, selectable via easily accessible rotary switches, each panel features standard labelling and supports all common functions including on/off, dimming, and preset selection.

DirectSet button panels can be installed with almost any Decora/Decorator or GFCI cut-out faceplate.



* Facia not supplied

Finishes



White

Layouts



Features



Factory configured



Eight button configurations

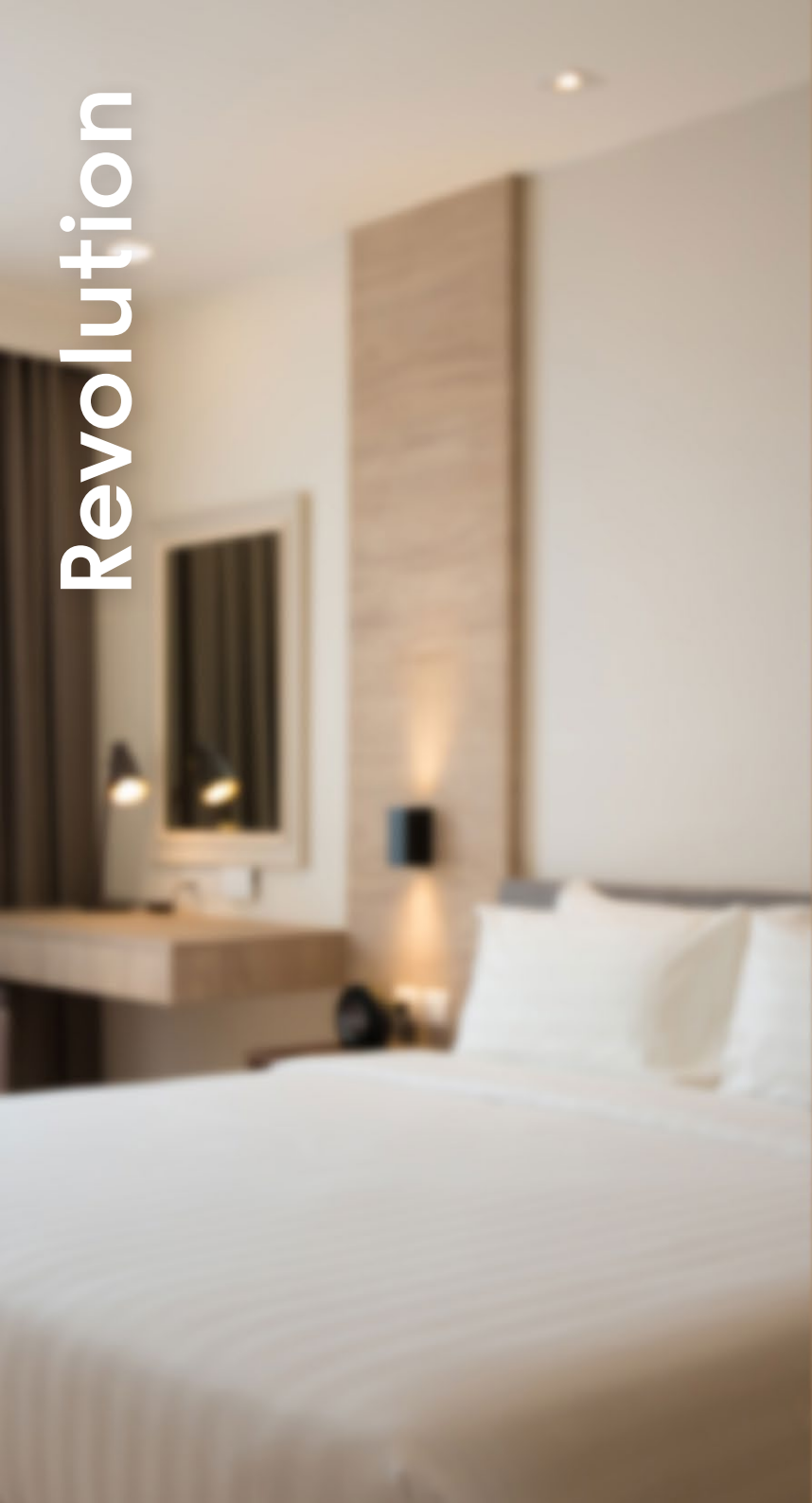


RJ45 sockets for fast daisychain connection



Full DyNet compatibility

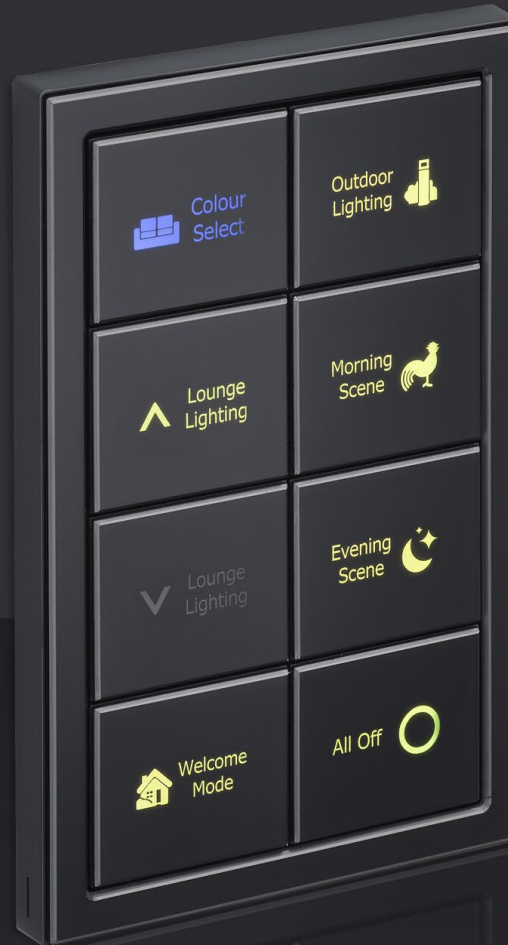
Revolution



Revolution Button

RevolutionButton leads the way in modular UI design. Its sleek, contemporary exterior can be tailored to suit any environment.

Revolution has appealing proportions with large, tactile buttons that are RGB backlit and provide generous space for labelling. This results in an approachable UI that can be easily operated by a range of audiences regardless of age, ability, or language.



Finishes

Luxe fascias



Aluminium



Gold

Satin fascias



Aluminium



Gold

Laquer fascias



Black



White



Silver



Magnesium

Rim



Black



White

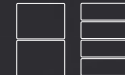


Aluminium



Gold

Layouts



Features



RGB backlit buttons



Temperature & humidity sensors



Bulk Uploads



Proximity detection

Antumbra

The stunning Antumbra range has a surprising number of features, packaged in a choice of three designs that redefine the concept of minimalist chic.

When you first encounter Antumbra, it detects your body's own electrical field and wakes up with an inviting wall-wash lighting effect. With inbuilt temperature, humidity and light sensors, the Antumbra range offers an unparalleled balance of form and function.



Antumbra Button

Antumbra Button has large mechanical buttons available in 2, 4, or 6 button variants. Different finish options are available for the fascia and rim of the keypad and all colour options can be mixed and matched. Customised labelling of text and icons can also be added.



Finishes

Luxe fascias



Noir



Prestige



Jet



Aluminium



Gold



Vintage

Laquer fascias



Magnesium



White



Silver

Rim



Magnesium



White



Aluminium



Chrome

Layouts



Features



Halo effect



Temperature & humidity sensors



Bulk Uploads



Proximity detection

Antumbra Display

AntumbraDisplay features six configurable buttons and a central LCD display. It includes a temperature sensor and the latest in field-effect technology to detect user presence.

The display can be configured to present multiple pages of functions and system information, including lighting scene or level, air conditioning, fan, current temperature, and setpoint.



* Array Design Language coming soon

Finishes

Luxe fascias



Noir



Prestige



Jet

Laquer fascias



Magnesium



White



Aluminium



Gold



Vintage



Silver

Rim



Magnesium



White



Aluminium



Chrome

Layouts



Features



Halo effect



Temperature & humidity sensors



Bulk Uploads



Proximity detection

Glass Touch



Glass Touch

The GlassTouch has a smooth glass finish and uses capacitive touch technology to detect finger pressure with no moving parts. Descriptive text and icon labelling describes functionality and is available in a range of languages.



Finishes

Glass fascia finishes



Black



White



Silver

Rim finishes



Magnesium



White



Aluminium



Chrome

Layouts



Features



Halo effect



Temperature & humidity sensors



Bulk Uploads



Proximity detection

Touchscreens

PDTS empowers the user, putting them in charge of all their intelligent building systems including lighting, shading, heating, cooling, ventilation and more.

Designed with simple navigation and intuitive layouts, or with a completely customised interface, PDTS improves access to personalised control, enabling the user to adjust and save settings at will.



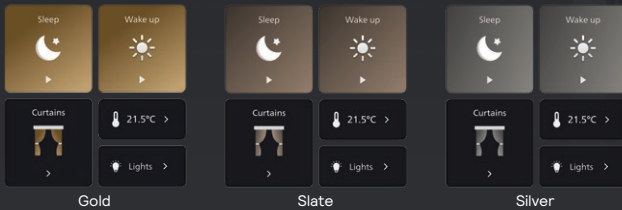
Dynalite Touchscreen

The Dynalite PDTS Colour Touchscreen offers intelligent control and direct access to scheduling, scene editing, diagnostics and local environmental sensing.

Combining Ethernet connectivity, a powerful onboard processor, and contemporary design cues from the Antumbra user interface range, the PDTS is a sleek, functional complement to any project. The interface can be customised to enable all automation elements from one location.



Display Themes



Features



Multiple pages



Temperature & humidity sensors



Bulk Uploads



Proximity detection

Switch app



The Dynalite Switch App has a simple streamlined interface that delivers intuitive automated control into the hands of the end user.

Switch app

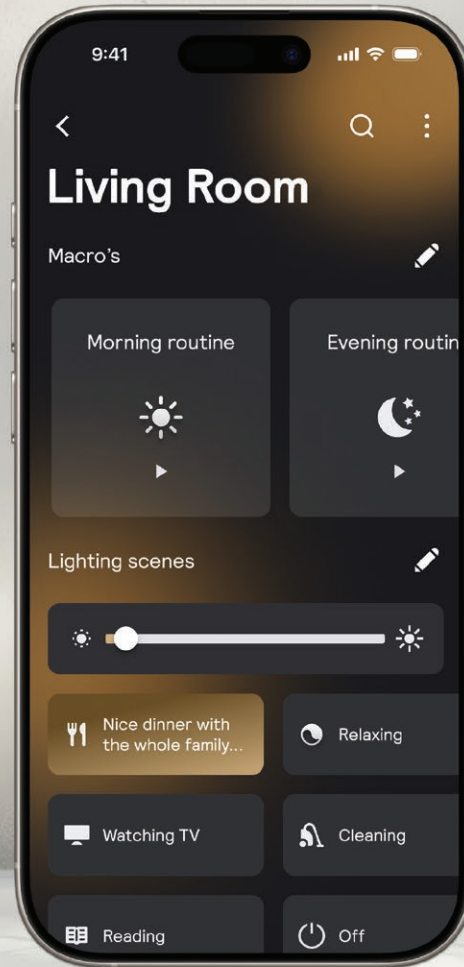
Manage all the technologies that run your home from your tablet or smartphone using our Switch app, no matter where you are. You can remotely monitor all systems and schedules from your device.

Arrange multiple systems into preset scenes. For example, 'Good Morning', 'Welcome Home' and 'After Hours' settings with your preferences for lighting, heating, entertainment systems and blinds, can all be recalled with one touch of a button to create exactly the right environment.

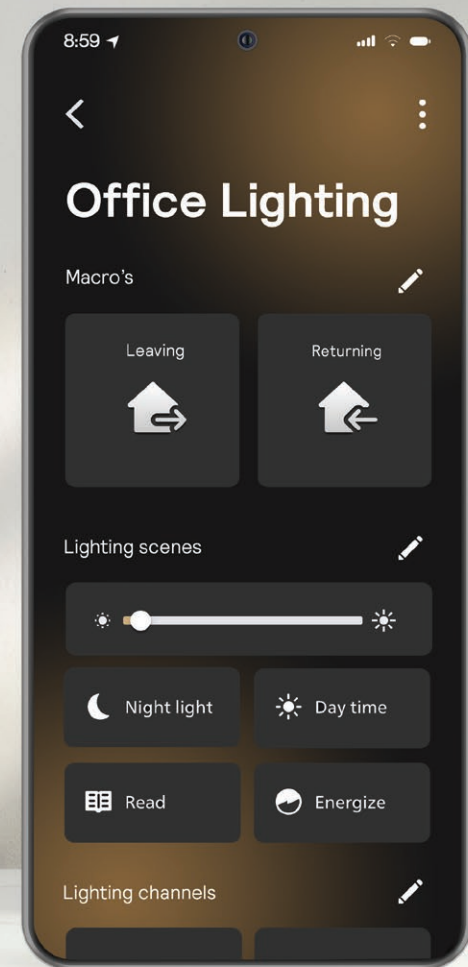
The Switch app will handle all of your smart home requirements. It is an intuitive and simple-to-use app with standard icons and themes using a consistent design language. The layout reflects the rooms and spaces in your residence delivering a tailored solution.



iPhone with Switch App



Android with Switch App



Personalise



Design Studio

Dynalite Design Studio is a streamlined, intuitive design tool that helps you to create the right user interface for your project, both functionally and aesthetically. Build your perfect interface with no need to memorise complex part numbers or ordering codes.

Follow the Design Studio's easy steps to select from the full variety of panel types, orientations, fascia/rim finishes, and button labelling options. When you are satisfied with your choices, you can download a PDF of your final design for easy inclusion in your purchase order. www.my.dynalite.com



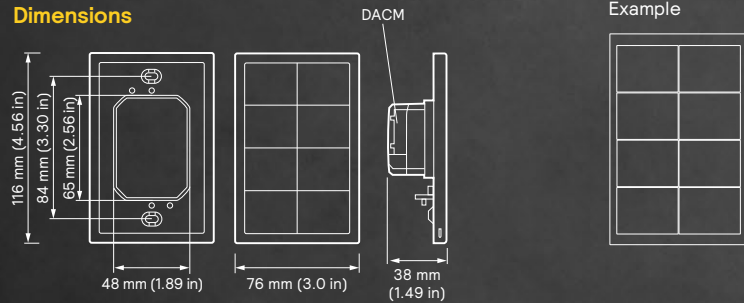
Revolution Series

Ordering Information

PDR8xxA-BBB-S

Revolution Series	1, 2, or 3-Gang* Module Options 8 = Eight Buttons 4 = Four Buttons 2 = Two Buttons	Button Finish B = Black W = White A = Aluminium G = Gold	Frame Finish** BB = Black WW = White AA = Aluminium GG = Gold	Button Labelling S = Standard L = Custom
--------------------------	--	---	--	---

Dimensions



Antumbra Series

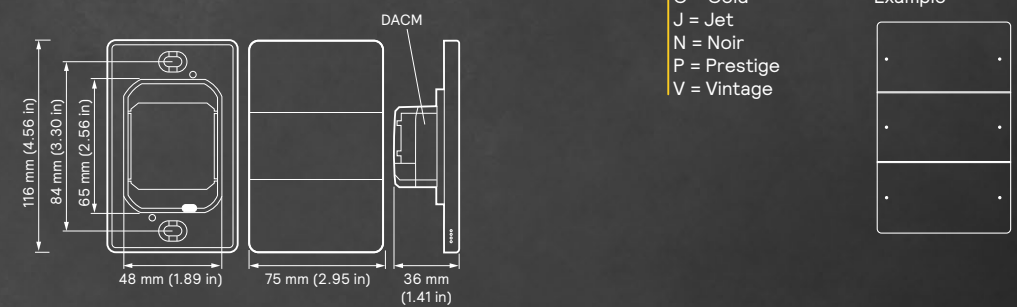
Ordering Information

PA6BPA-W C-X

Antumbra PA = Button DA = Display	Buttons/Display 6 = Six buttons 4 = Four buttons 2 = Two buttons D = Display	Panel Type BP = Button Panel DP = Display Panel	Shape E = European A = American / Australian	Button Finish Lacquer M = Magnesium S = Silver W = White	Rim Finish A = Aluminium C = Chrome M = Magnesium W = White	Labelling L = Labelling X = No labelling <small>Not applicable to Antumbra Display</small>
--	---	--	---	--	--	--

Luxe
A = Aluminium
G = Gold
J = Jet
N = Noir
P = Prestige
V = Vintage

Dimensions - Antumbra & GlassTouch



DirectSet

Ordering Information

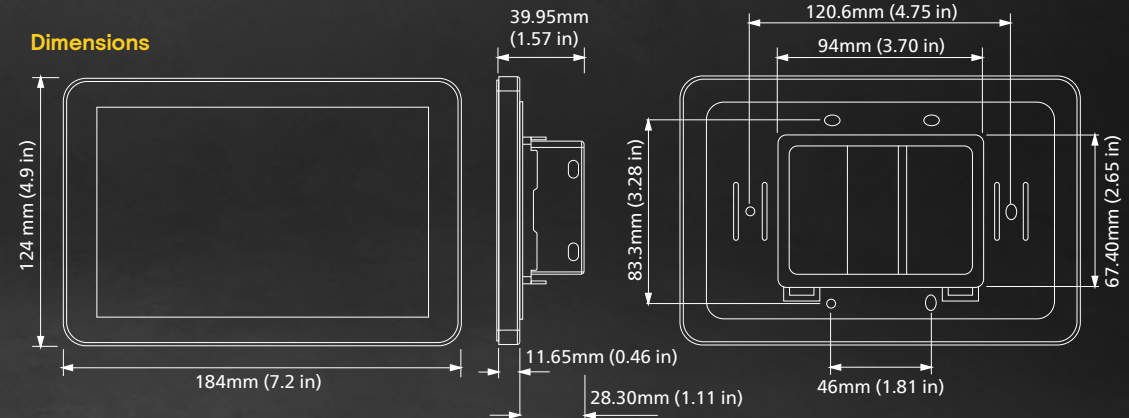
DS1SRA-W-DN

DirectSet	Configuration 1SR = 1 Scene & Ramping 2SR = 2 Scene & Ramping 3SR = 3 Scene & Ramping 4SR = 4 Scene & Ramping 5SR = 5 Scene & Ramping 1S2ZR = 1 Scene + 2 Zones & Ramping 1S4ZR = 1 Scene + 4 Zones & Ramping 2S4ZR = 2 Scene + 4 Zones & Ramping	Format A = US/ANZ	Finish W = White	Protocol DN = DyNet
------------------	--	-----------------------------	----------------------------	-------------------------------

PDTS Touchscreen

Ordering Code: 913703334309

Dimensions



Glass Touch

Ordering Information

PATPA-WC-X

GlassTouch	Shape E = European A = American / Australian	Facia Finish B = Black S = Silver W = White	Rim Finish A = Aluminium C = Chrome W = White	Labelling L = Labelling X = No labelling
-------------------	---	---	---	---



www.dynalite.com

© 2026 Signify Holding. All rights reserved. Specifications are subject to change without notice. No representation or warranty as to the accuracy or completeness of the information included herein is given and any liability for any action in reliance thereon is disclaimed. Dynalite and Signify Dynalite are registered trademarks of Signify Holding. All other trademarks are owned by Signify Holding or their respective owners. Data subject to change.