

DNS360LB-CS-PIR-DALI

Multifunction DALI Sensor



Specification Sheet

Sensors > Low Bay



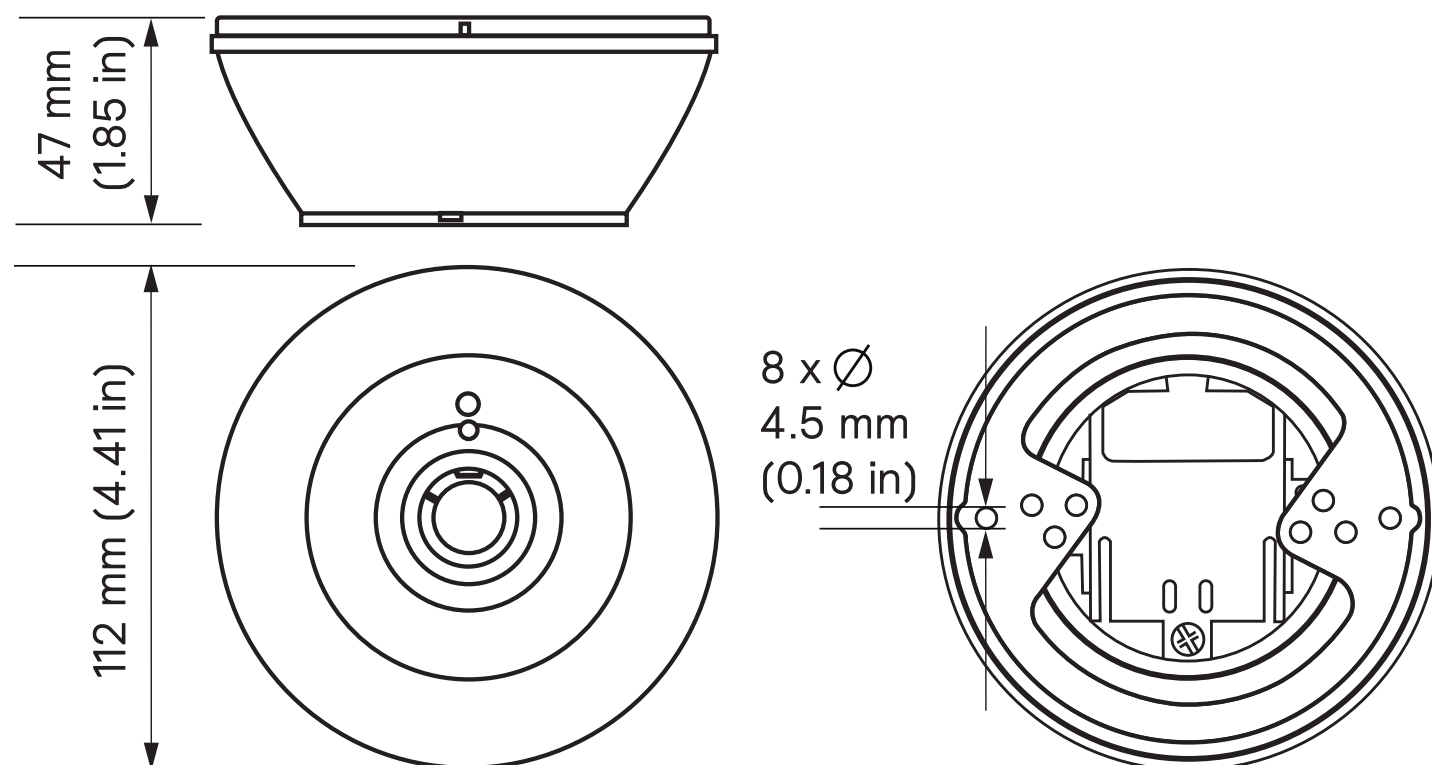
Surface mount 360° ceiling sensor

The Dynalite DNS360LB-CS-PIR-DALI is a surface-mountable 360° multifunction sensor that combines motion detection (PIR), infrared remote control reception (IR), and ambient light level detection (PE) into one device for applications such as hospitality, dining, and residential.

Key Features

- **DALI device** - Designed to operate seamlessly with the Dynalite DDBC120-DALI or DDBC320-DALI controller
- **Powered directly by DALI network** - Eliminates the need for additional network field wiring.
- **Motion detection feature** - Detects the presence or absence of motion and triggers a programmed action.
- **Segmented click-up bezel** - Surrounds the motion sensor element and enables a portion of the sensing field to be masked. This prevents nuisance detection from adjacent doorways or corridors.
- **Multiple mounting options** - Can be partially recessed or surface-mounted using the supplied butterfly clips or junction box.
- **Ambient light level regulation** - In applications where precise, even lighting is critical, the PE function measures ambient levels and adjusts artificial light accordingly.
- **Daylight harvesting mode** - Delivers automatic energy savings.
- **Infrared receive capability** - Inbuilt IR sensor lets you manually adjust light levels using a compatible hand-held RC5 IR remote.
- **Corridor hold** - Links corridor areas with adjacent rooms so corridor remains lit while occupancy is detected in adjacent rooms.

Dimensions



Specifications

Electrical	
Supply Type	DALI / FELV
Supply Voltage	9.5-22.5 VDC
Supply Current	5.5 mA
DALI Insulation	Basic
IEC Overvoltage Category	III

Motion Detection (PIR)	
Sensor	Quad element pyroelectric
Max Detection Range	5 m (16.4 ft) Typical range at ≤25°C (77°F) Range reduced at higher temperatures

Light Detection (PE)	
Lux Range	5-5,000 lux

Control	
Communication Ports	1 x DALI
User Controls	Infrared (RC5 IR remote control) 1 x service switch
Receiver Startup Time	<1.2s
Indicators	1 x motion LED (red)

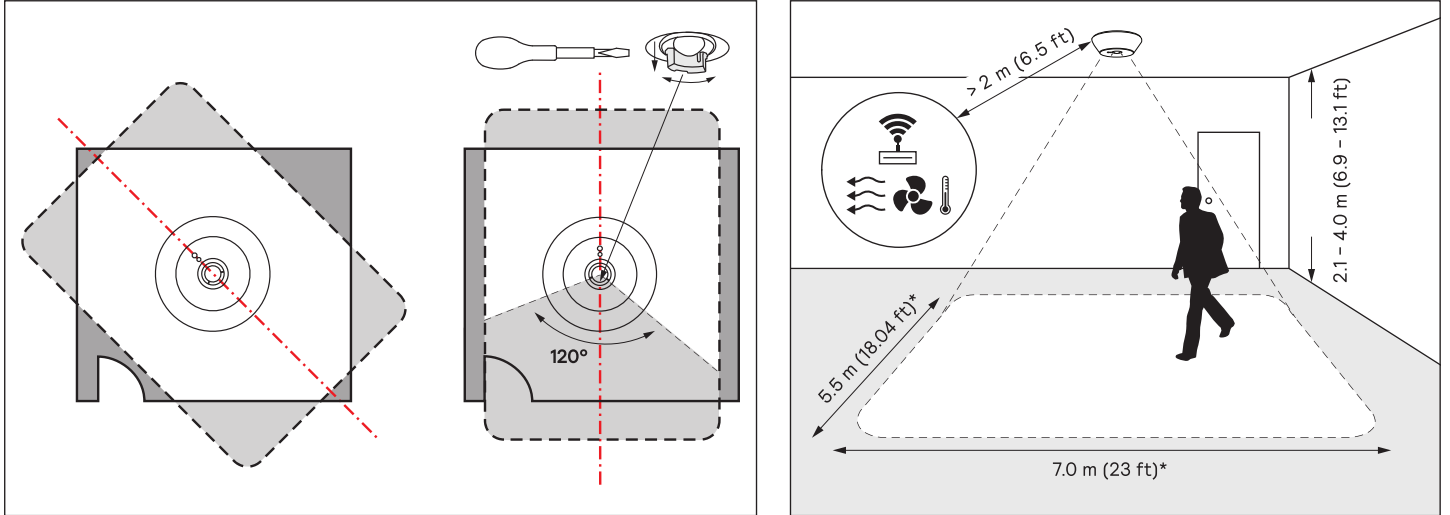
Physical	
Dimensions	47 x 112 mm (1.85 x 4.41 in)
Packed Weight	0.166 kg (0.37 lb)
Construction	Polycarbonate enclosure
Colour	RAL9003 (White) RAL9005 (Black)
Serial Ports	2 x screw terminal
Serial Port Conductor Size	2.5 mm ² (#12 AWG) (max) OR 2 x 1 mm ² (#16 AWG) (max)
Mounting Substrate Thickness	3-25 mm (0.12-0.98 in)

Environment	
Operating Temperature	0° to 45°C ambient (32° to 113°F)
Storage/Transport Temperature	-25° to 70°C ambient (-13° to 158°F)
Relative Humidity	≤90% non-condensing
IEC Pollution Degree	II
Installation Note	For indoor installation only

Compliance	
Certifications	CE, CB, RCM, UL/cUL, FCC, ISED, UKCA, DALI-2
Sustainability	RoHS, REACH, WEEE
IP Rating	IP20

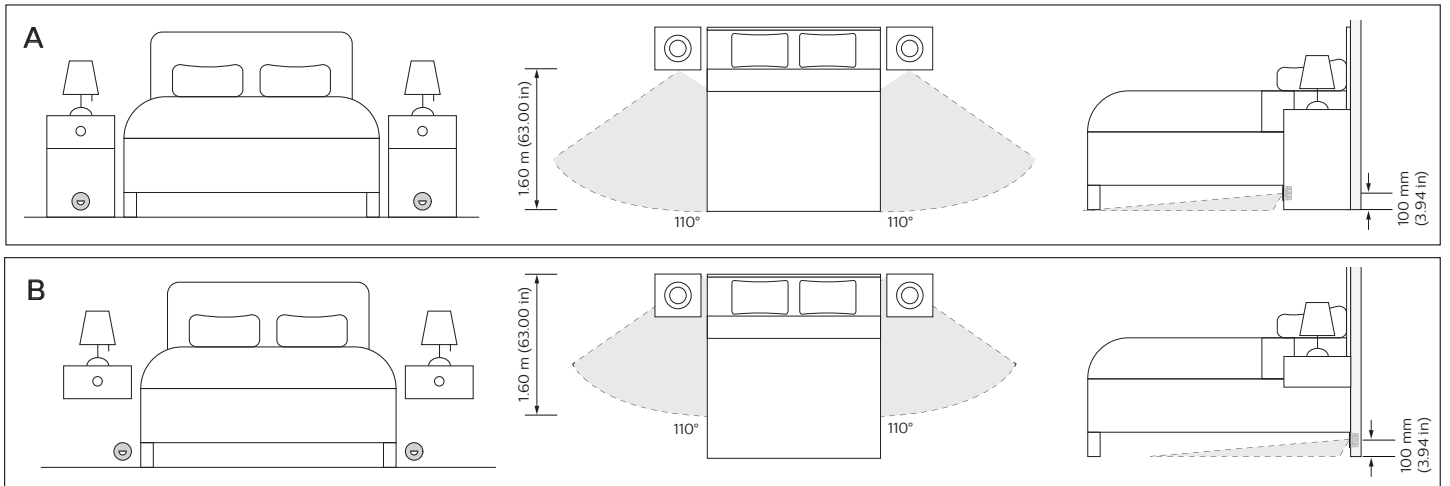


Detection Area



Detection Area with Anti-Stumble Faceplate

With the optional DNS180-ASA faceplate, the DNS360LB-CS-PIR provides ground-level bedside motion detection after dark. When a guest leaves the bed at night, selected lighting channels come on at minimum brightness so that they can move about safely without waking other sleepers.



Ordering Codes

Product		12NC
DNS360LB-CS-PIR-DALI	RAL9003 (White)	913703404909
DNS360LB-CS-PIR-DALI-RAL9005	RAL9005 (Black)	913703405009

Accessory		12NC
DNS180ASA	Anti-stumble faceplate (pack of 40)	913703405509
DNS360CCA	Customisable faceplate (pack of 40)	913703405609