

DNS360LB-CR-PIR-DALI

Multifunction DALI Sensor



Specification Sheet

Sensors > Low Bay



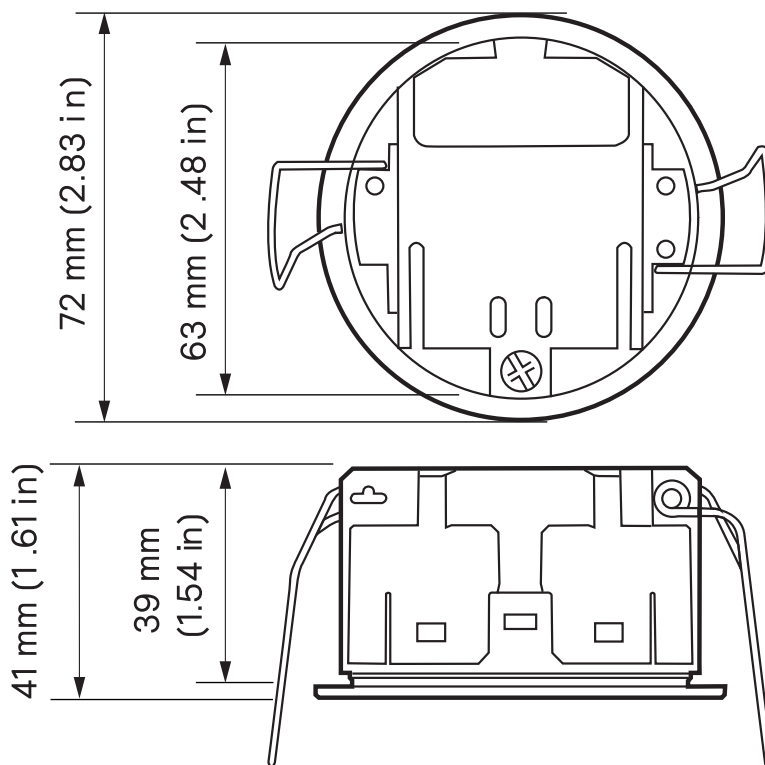
Low-profile recessed 360° ceiling sensor powered by the DALI network

The Dynalite DNS360LB-CR-PIR-DALI is a recess mountable 360° multifunction sensor that combines motion detection (PIR) and ambient light level detection (PE) in one device. The DNS360LB-CR-PIR-DALI is powered and communicates to the networked control system via a DALI bus.

Key Features

- **DALI device** - Designed to operate seamlessly with the Dyalite DDBC120-DALI or DDBC320-DALI controller
- **Powered directly by DALI network** - Eliminates the need for additional network field wiring.
- **Motion detection feature** - Detects the presence or absence of motion and triggers a programmed action.
- **Segmented click-up bezel** - Surrounds the motion sensor element and enables a portion of the sensing field to be masked. This prevents nuisance detection from adjacent doorways or corridors.
- **Ambient light level regulation** - In applications where precise, even lighting is critical, the PE function measures ambient levels and adjusts artificial light accordingly.
- **Daylight harvesting mode** - Delivers automatic energy savings.
- **Infrared receive capability** - Enables sign-on identification to the networked system.
- **Corridor hold** - Links corridor areas with adjacent rooms so corridor remains lit while occupancy is detected in adjacent rooms.

Dimensions



Specifications

Electrical	
Supply Type	DALI / FELV
Supply Voltage	9.5-22.5 VDC
Supply Current	5.5 mA
DALI Insulation	Basic
IEC Overvoltage Category	III

Motion Detection (PIR)	
Sensor	Quad element pyroelectric
Max Detection Range	5 m (16.4 ft) Typical range at ≤25°C (77°F) Range reduced at higher temperatures

Light Detection (PE)	
Lux Range	5-5,000 lux

Control	
Communication Ports	1 x DALI
User Controls	Infrared (RC5 IR remote control) 1 x service switch
Receiver Startup Time	<1.2s
Indicators	1 x motion LED (red)

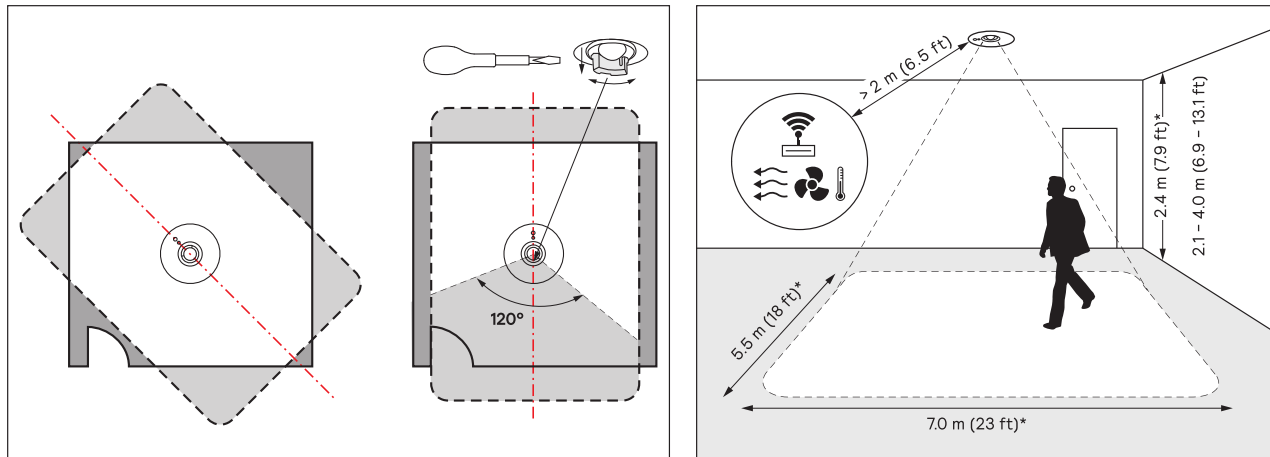
Physical	
Dimensions	41 x 72 mm (1.61 x 2.83 in)
Packed Weight	0.105 kg (0.23 lb)
Construction	Polycarbonate enclosure
Colour	RAL9003 (White) RAL9005 (Black)
Serial Ports	1 x 2-way screw terminal
Serial Port Conductor Size	0.2-2.5 mm ² (#24-12 AWG) (max)
Mounting Substrate Thickness	3-25 mm (0.12-0.98 in)

Environment	
Operating Temperature	0° to 45°C ambient (32° to 113°F)
Storage/Transport Temperature	-25° to 70°C ambient (-13° to 158°F)
Relative Humidity	≤90% non-condensing
IEC Pollution Degree	II
Installation Note	For indoor installation only

Compliance	
Certifications	CE, CB, RCM, UL/cUL, FCC, ISED, UKCA, DALI-2
Sustainability	RoHS, REACH, WEEE
IP Rating	Front Surface: IP54 (When installed per manufacturer instructions) Enclosure: IP20

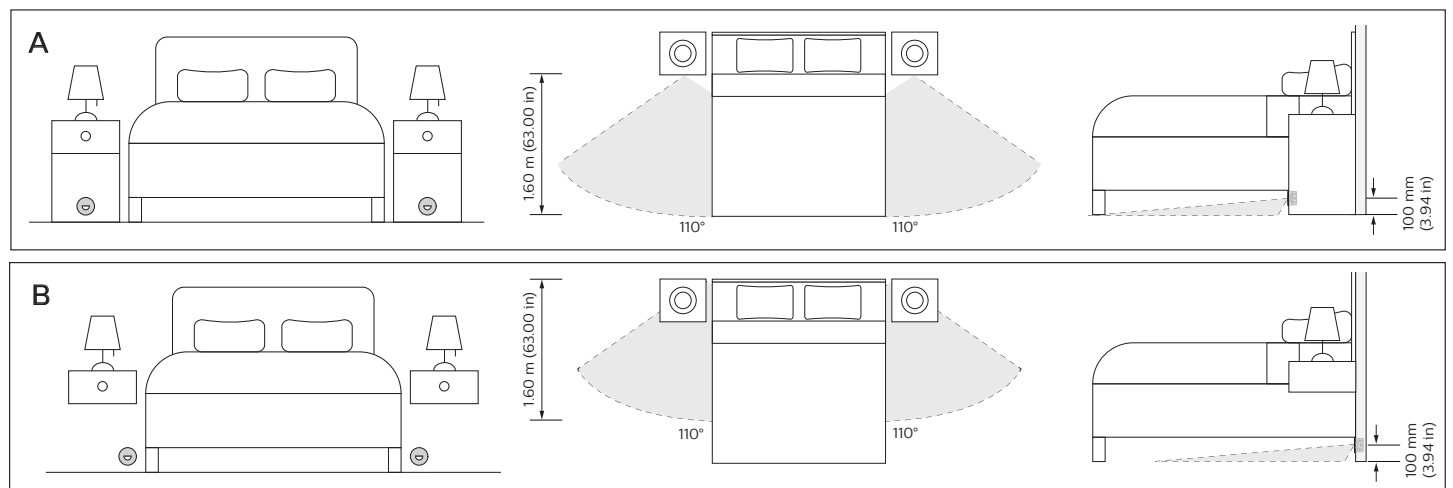


Detection Area



Detection Area with Anti-Stumble Faceplate

With the optional DNS180-ASA faceplate, the DNS360LB-CR-PIR provides ground-level bedside motion detection after dark. When a guest leaves the bed at night, selected lighting channels come on at minimum brightness so that they can move about safely without waking other sleepers.



Ordering Codes

Product		12NC
DNS360LB-CR-PIR-DALI	RAL9003 (White)	913703274509
DNS360LB-CR-PIR-DALI-RAL9005	RAL9005 (Black)	913703404809

Accessory		12NC
DNS180ASA	Anti-stumble faceplate (pack of 40)	913703405509
DNS360CCA	Customisable faceplate (pack of 40)	913703405609