

DMR610GL

DMC2/DMC4 Relay Control Module



Specification Sheet

Controllers > DMC Modules



Six-channel switching control

Refer to the DMC2 and DMC4 Specification Sheet for more information.

Specifications

Electrical Protection

DMR610GL-CE 6 x 16 A dual pole C-curve circuit breaker (IEC approved)

DMR610GL-RCBO-CE 6 x 16 A C-curve RCBO (IEC approved)

DMR610GL-UL 6 x 20 A dual pole C-curve circuit breaker (UL489 listed)

Control

Control Channel Outputs 6 x relay

Physical

Packed Weight 1.9 kg (4.19 lb)

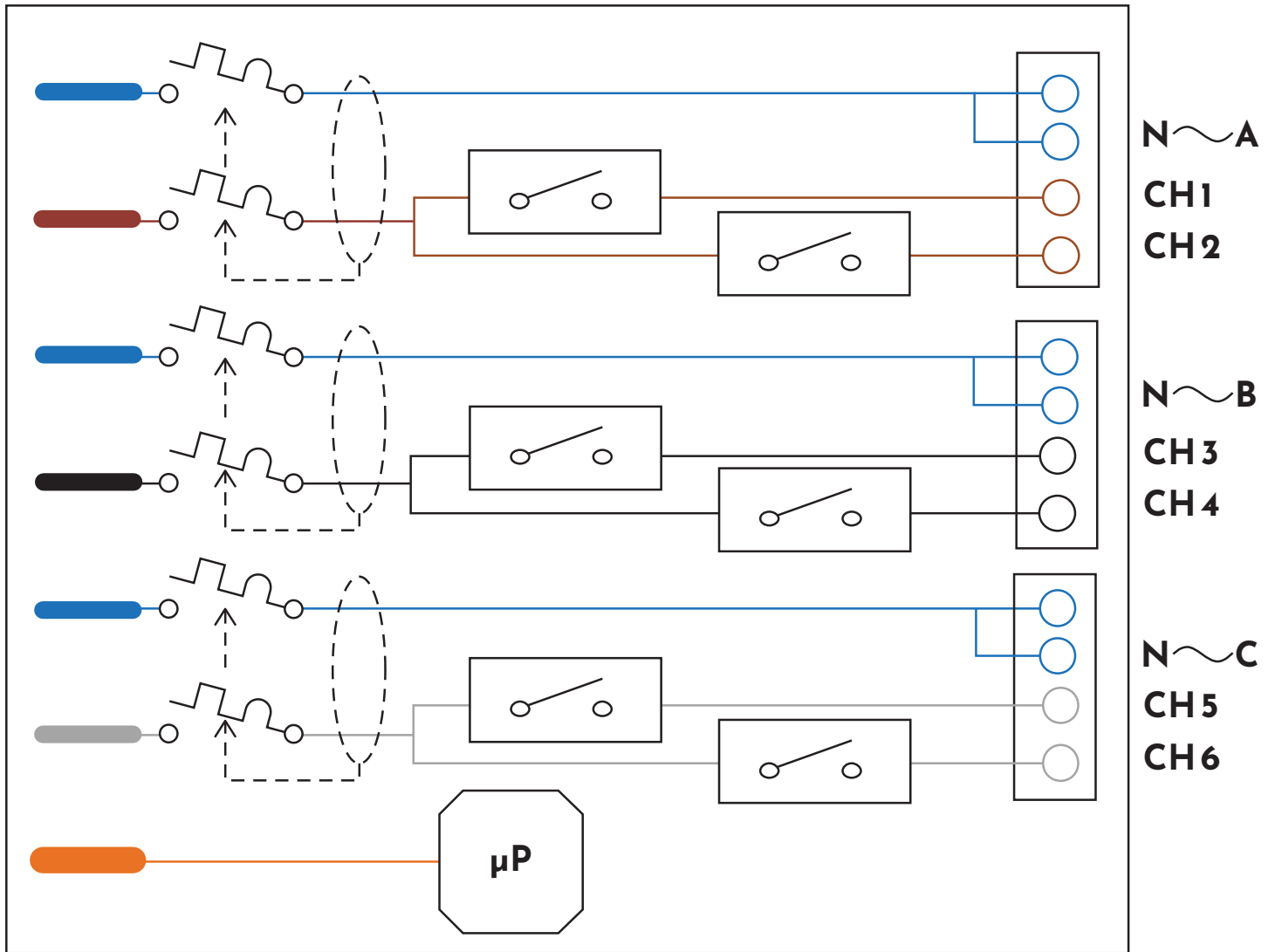
Output Terminals 3 x 4-way screw terminal

Terminal Conductor Size $\leq 5 \text{ mm}^2$ (#10+ AWG)

Output Channel Ratings

Load Type	CH1-CH6
Incandescent	10 A, 277 VAC
Magnetic With Halogen	10 A, 277 VAC
Electronic Driver	10 A, 277 VAC
Motor	9.8 FLA (½ HP) 120 VAC 10 FLA (1 ½ HP) 230/277 VAC
Inrush Current	500 A
Maximum Group Load	
CH1-CH2, CH3-CH4, CH5-CH6	Continuous Current: ≤10 A
Total Module Load	
≤30 A	

Electrical Drawing



Ordering Codes

Product		12NC
DMR610GL-CE	6 x 10 A Relay control (Also suitable for UKCA markets)	913703668209
DMR610GL-RCBO-CE	6 x 10 A Relay control with RCBO (Also suitable for UKCA markets)	913703668309
DMR610GL-UL	6 x 10 A Relay control (UL)	913703668109