

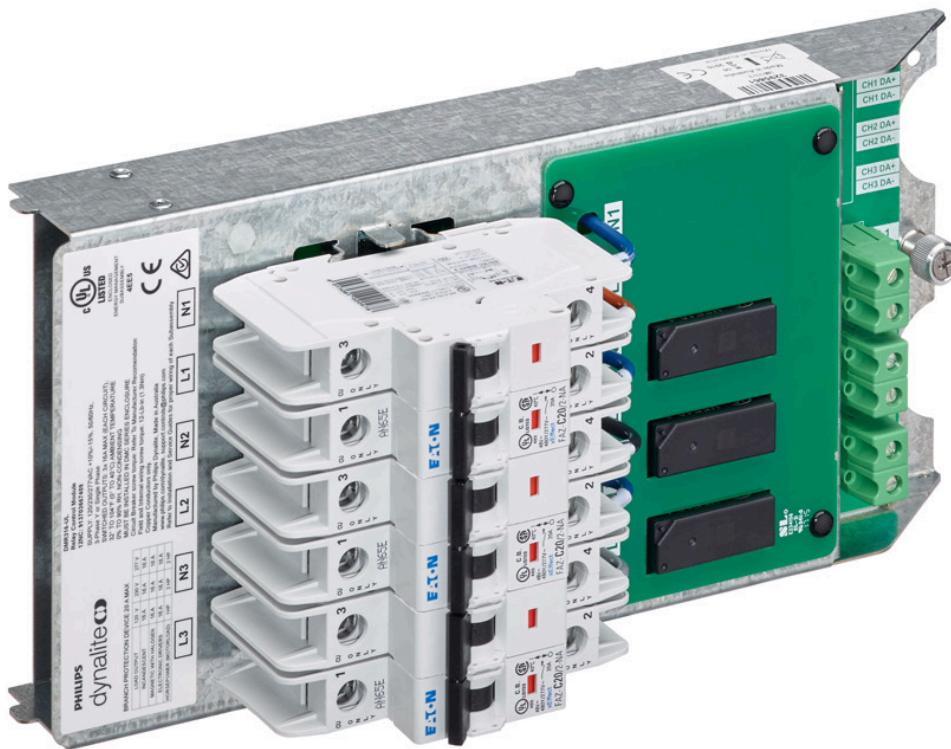
DMR310 & DMR316

DMC2/DMC4 Relay Control Module



Specification Sheet

Controllers > DMC Modules



Three-channel switching control

Refer to the DMC2 and DMC4 Specification Sheet for more information.

Specifications

Electrical Protection

DMR310-CE	3 x 10 A dual pole C-curve circuit breaker (IEC approved)
DMR310-RCBO-CE	3 x 10 A C-curve RCBO (IEC approved)
DMR316-CE	3 x 16 A dual pole C-curve circuit breaker (IEC approved)
DMR316-RCBO-CE	3 x 16 A C-curve RCBO (IEC approved)
DMR316-UL	3 x 20 A dual pole C-curve circuit breaker (UL489 listed)

Control

Control Channel Outputs	3 x relay
-------------------------	-----------

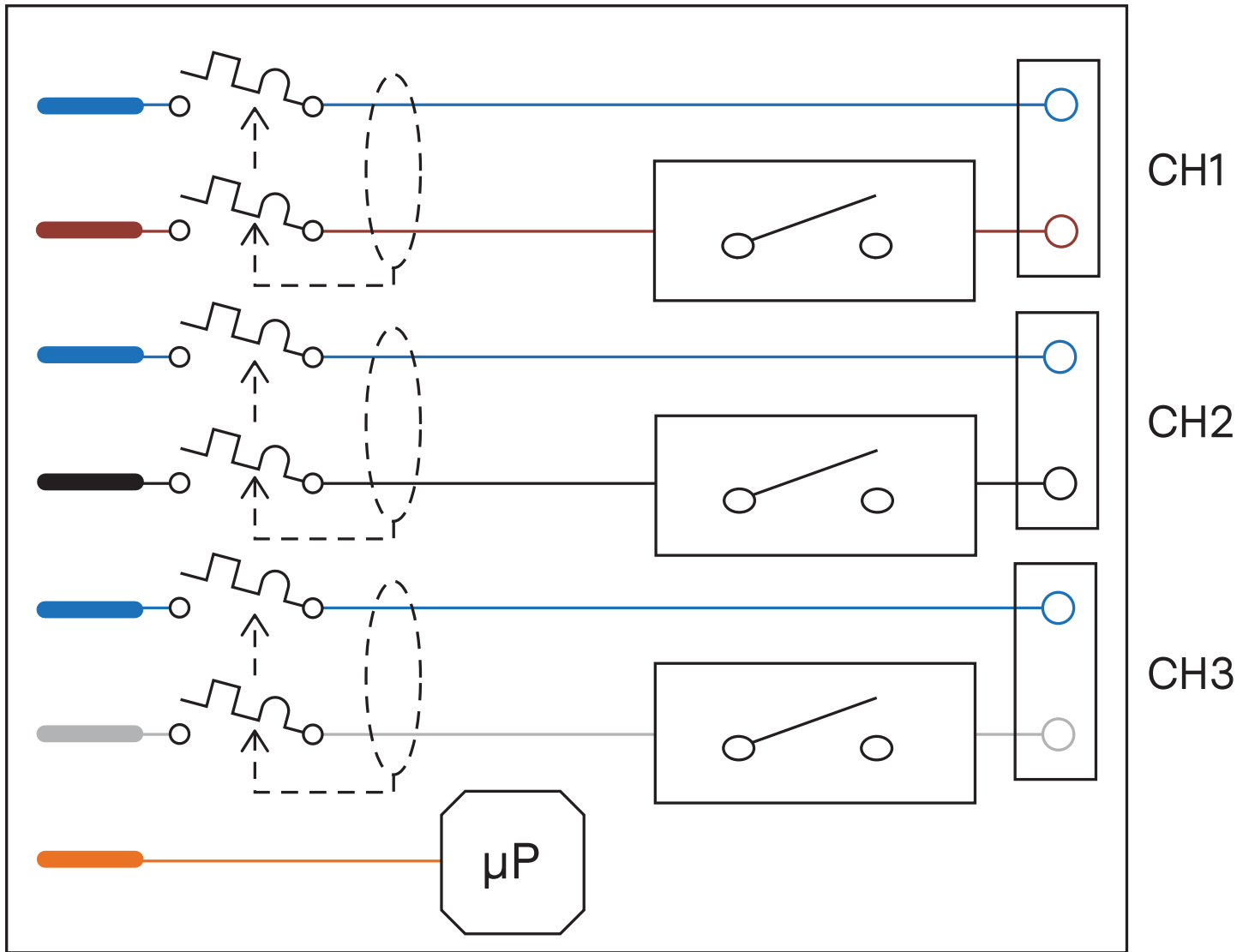
Physical

Packed Weight	1.7 kg (3.75 lb)
Output Terminals	3 x 2-way screw terminal
Terminal Conductor Size	16 mm ² (#6 AWG) (max)

Output Channel Ratings

Load Type	DMR310
Incandescent	10 A, 277 VAC
Magnetic With Halogen	10 A, 277 VAC
Electronic Driver	10 A, 277 VAC
Motor	9.8 FLA (½ HP) 120 VAC 10 FLA (1 ½ HP) 230/277 VAC
Inrush Current	500 A
Load Type	DMR316
Incandescent	16 A, 277 VAC
Magnetic With Halogen	16 A, 277 VAC
Electronic Driver	16 A, 277 VAC
Motor	16 FLA (½ HP) 120 VAC 12 FLA (1 ½ HP) 230/277 VAC
Inrush Current	500 A
Load Type	Device

Electrical Drawing



Ordering Codes

Product		12NC
DMR310-CE	3 x 10 A Relay control (Also suitable for UKCA markets)	913703666409
DMR310-RCBO-CE	3 x 10 A Relay control with RCBO (Also suitable for UKCA markets)	913703666909
DMR316-CE	3 x 16 A Relay control (Also suitable for UKCA markets)	913703666509
DMR316-RCBO-CE	3 x 16 A Relay control with RCBO (Also suitable for UKCA markets)	913703667009
DMR316-UL	3 x 16 A Relay control (UL)	913703667409