

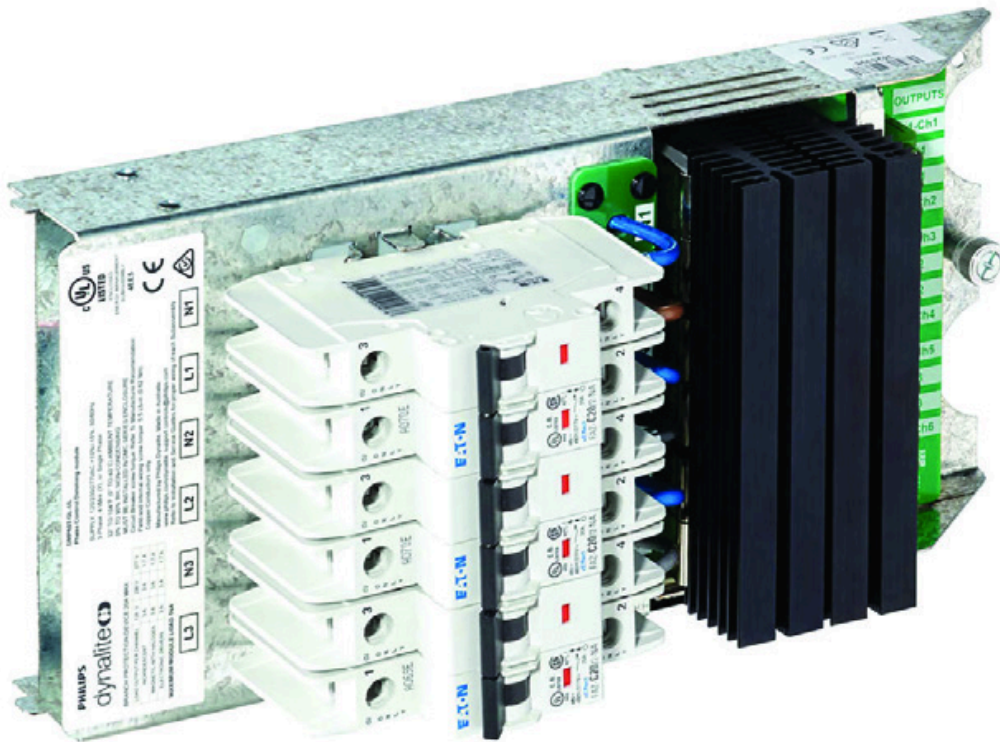
DMP603GL

DMC2/DMC4 Phase Cut Dimming Module

signify
Dynalite

Specification Sheet

Controllers > DMC Modules



Leading or trailing edge dimming control

Refer to the DMC2 and DMC4 Specification Sheet for more information.

Specifications

Electrical Protection

DMP603GL-CE 6 x 10 A dual pole C-curve circuit breaker
(IEC approved)

DMP603GL-RCBO-CE 6 x 10 A C-curve RCBO
(IEC approved)

DMP603GL-UL 6 x 20 A dual pole C-curve circuit breaker
(UL 489 listed)

Control

Control Channel Outputs 6 x leading/trailing edge dimming

Physical

Packed Weight 2.3 kg (5.07 lb)

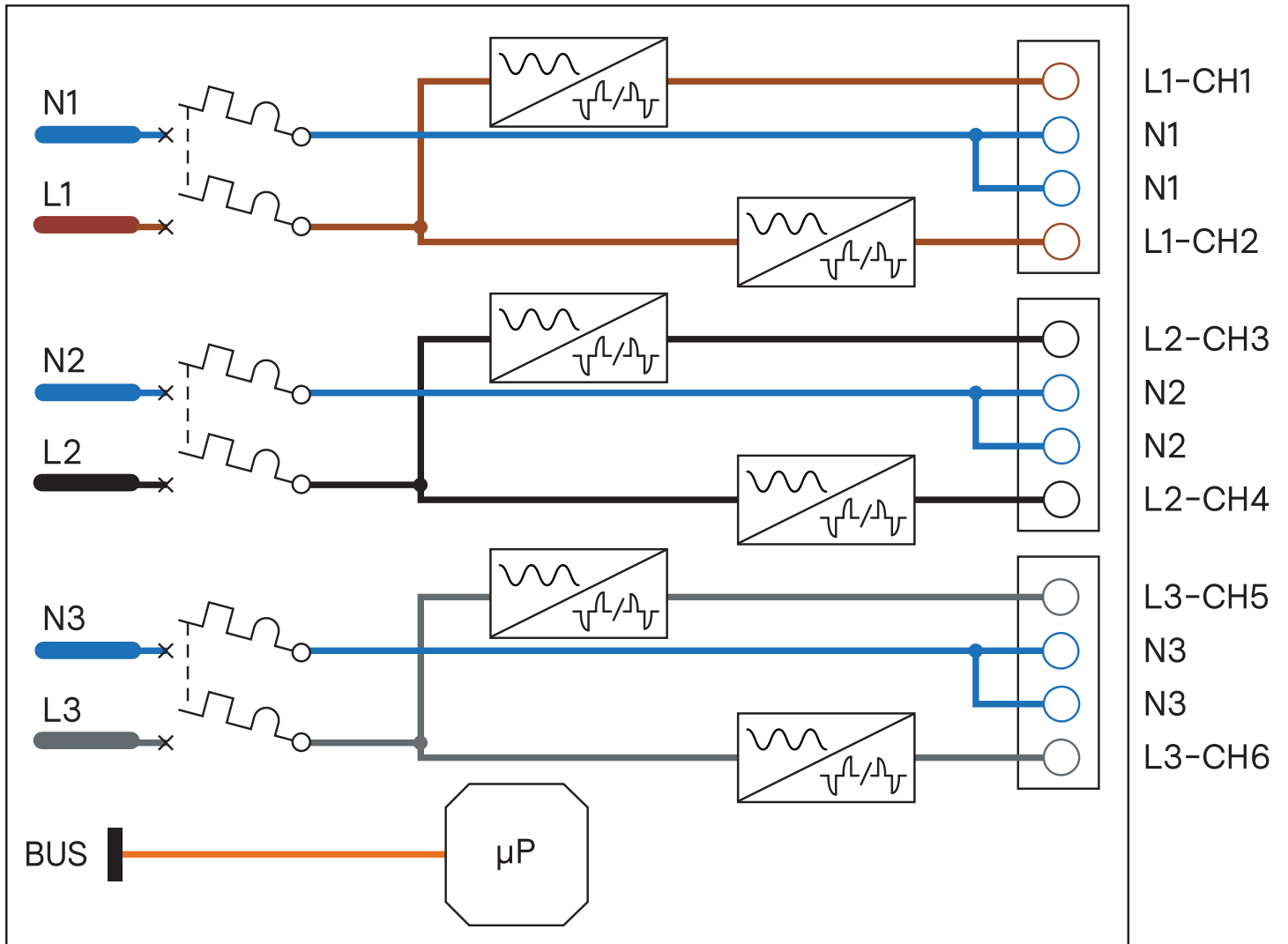
Output Terminals 3 x 4-way screw terminal

Terminal Conductor Size 16 mm² (#6 AWG) (max)

Output Channel Ratings

Load Type	Load Type
Incandescent	Leading/Trailing Edge: 3 A, 120/240 VAC 1.7 A, 277 VAC
Magnetic With Halogen	Leading Edge: 3 A, 120/240 VAC 1.7 A, 277 VAC
Electronic Driver	Trailing Edge: 3 A, 120/240 VAC 1.7 A, 277 VAC
Total Module Load	
≤16 A	

Electrical Drawing



Ordering Codes

Product		12NC
DMP603GL-CE	6 x 3 A Phase cut dimmer (Also suitable for UKCA markets)	913703668509
DMP603GL-RCBO-CE	6 x 3 A Phase cut dimmer with RCBO (Also suitable for UKCA markets)	913703668609
DMP603GL-UL	6 x 3 A Phase cut dimmer (UL)	913703668409