

DMP310GL

DMC2/DMC4 Phase Cut Dimming Module



Specification Sheet

Controllers > DMC Modules



Leading or trailing edge dimming control

Refer to the DMC2 and DMC4 Specification Sheet for more information.

Specifications

Electrical Protection

DMP310GL-CE 3 x 10 A dual pole C-curve circuit breaker
(IEC approved)

DMP310GL-RCBO-CE 3 x 10 A C-curve RCBO
(IEC approved)

DMP310GL-UL 3 x 20 A dual pole C-curve circuit breaker
(UL 489 listed)

Control

Control Channel Outputs 3 x leading/trailing edge dimming

Physical

Packed Weight 2.1 kg (4.63 lb)

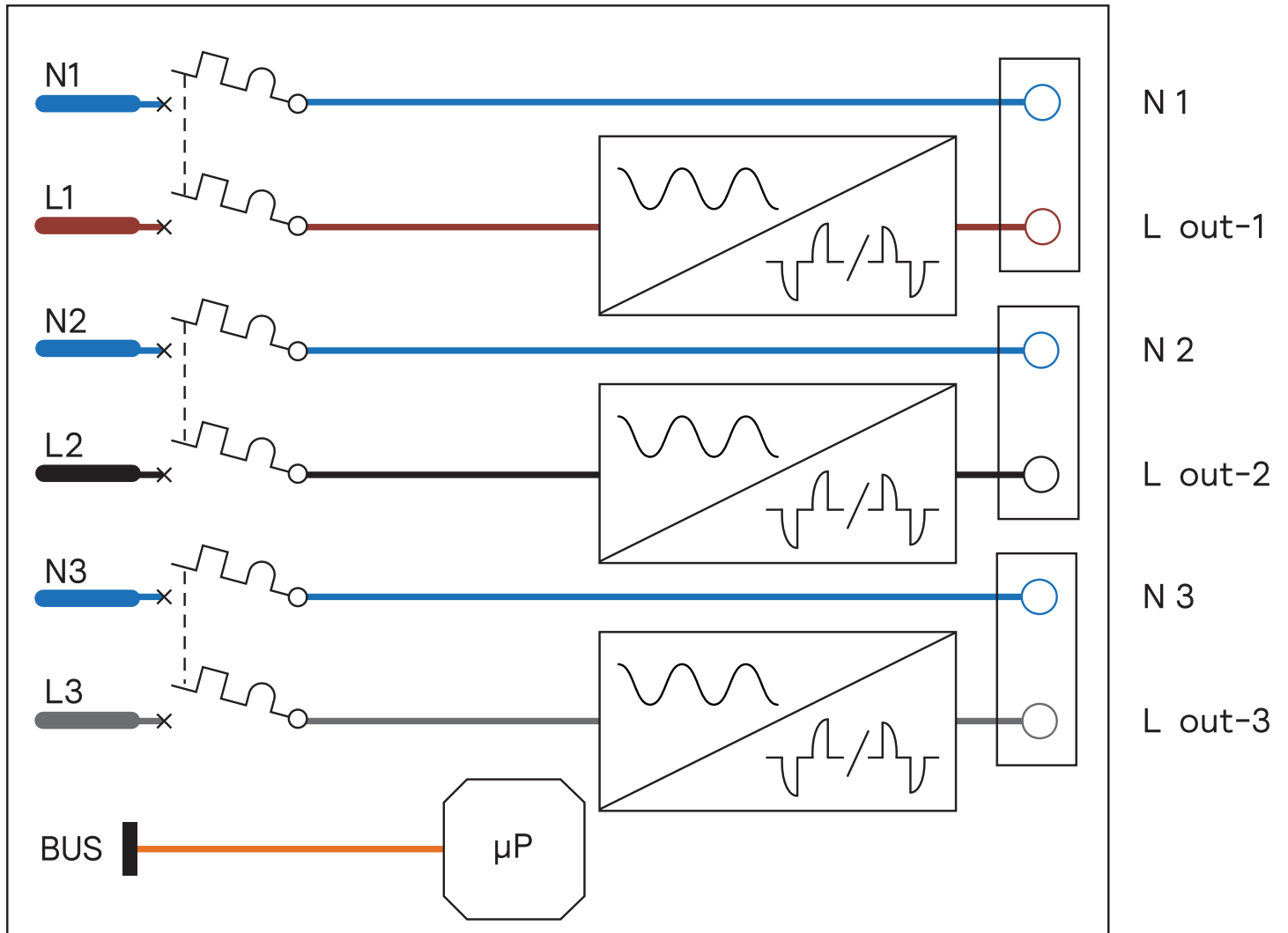
Output Terminals 3 x 2-way screw terminal

Terminal Conductor Size 16 mm² (#6 AWG) (max)

Output Channel Ratings

Load Type	Load Type
Incandescent	Leading/Trailing Edge: 10 A, 120/240 VAC 4.3 A, 277 VAC
Magnetic With Halogen	Leading Edge: 10 A, 120/240 VAC 4.3 A, 277 VAC
Electronic Driver	Trailing Edge: 10 A, 120/240 VAC 4.3 A, 277 VAC
Total Module Load	
≤14 A	

Electrical Drawing



Ordering Codes

Product		12NC
DMP310GL-CE	3 x 10 A Phase cut dimmer (Also suitable for UKCA markets)	913703666809
DMP310GL-RCBO-CE	3 x 10 A Phase cut dimmer with RCBO	913703667309
DMP310GL-UL	3 x 10 A Phase cut dimmer (UL)	913703667609