

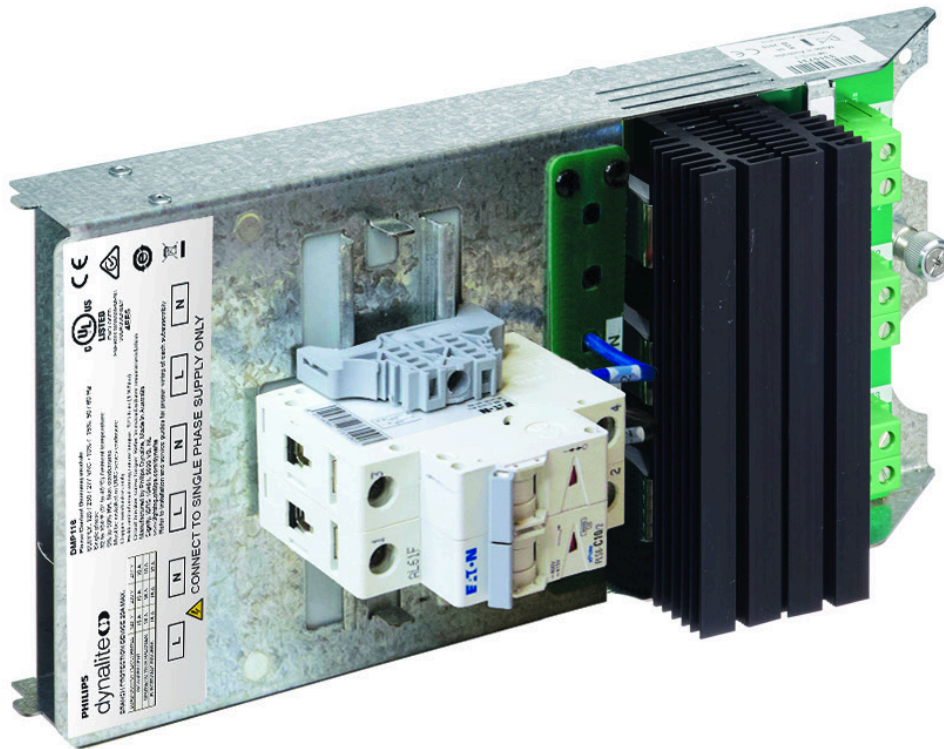
DMP116

DMC2/DMC4 Phase Cut Dimming Module



Specification Sheet

Controllers > DMC Modules



Leading or trailing edge dimming control.

Refer to the DMC2 and DMC4 Specification Sheet for more information.

Specifications

Electrical Protection

DMP116	1 x 20 A dual pole C-curve circuit breaker (UL 489 listed)
--------	---

Control

Control Channel Outputs	1 x leading/trailing edge dimming
-------------------------	-----------------------------------

Physical

Packed Weight	2.1 kg (4.63 lb)
---------------	------------------

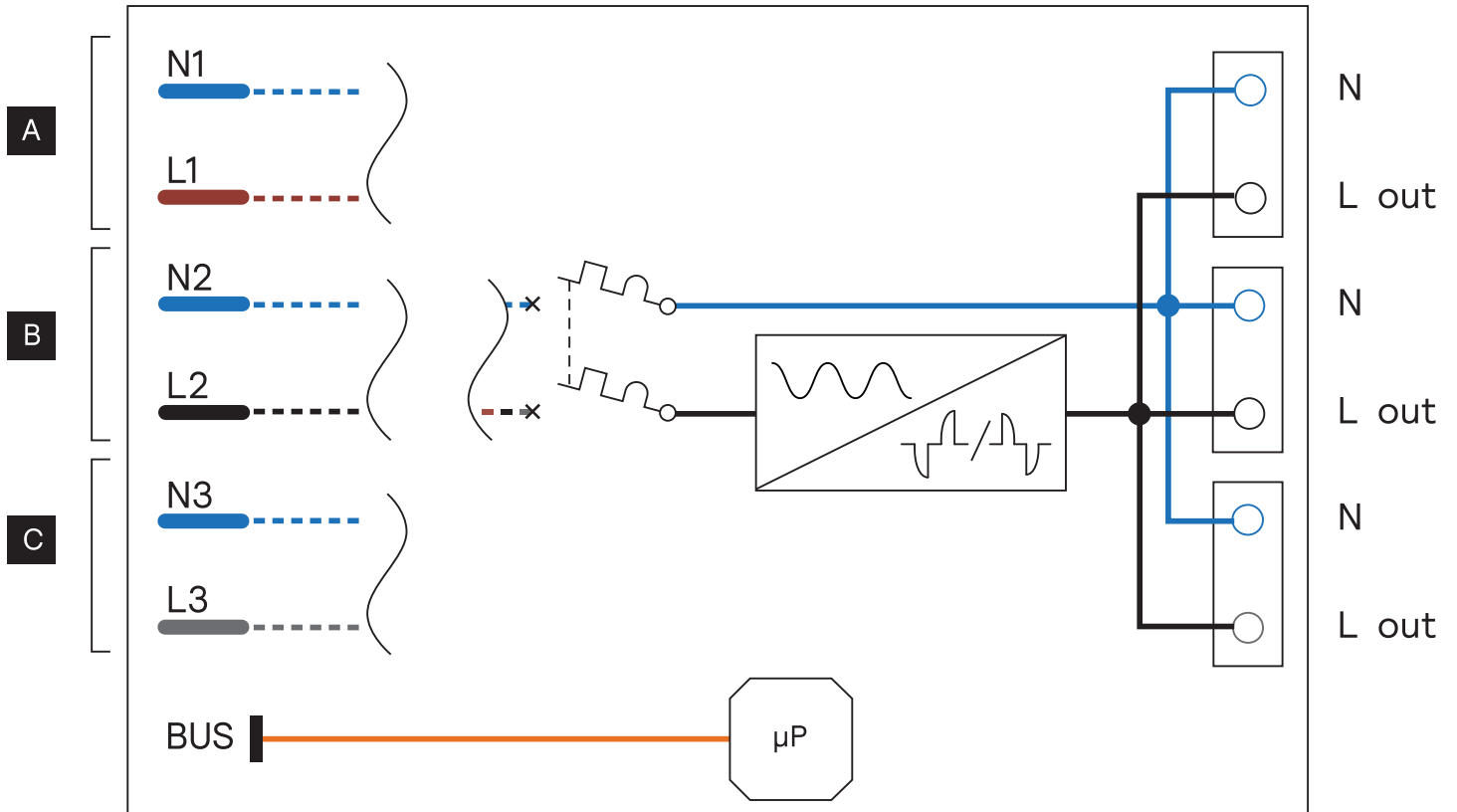
Output Terminals	3 x 2-way screw terminal
------------------	--------------------------

Terminal Conductor Size	16 mm ² (#6 AWG) (max)
-------------------------	-----------------------------------

Output Channel Ratings

Load Type	Load Type
Incandescent	Leading/Trailing Edge: 16 A, 120/240 VAC 10 A, 277 VAC
Magnetic With Halogen	Leading Edge: 16 A, 120/240 VAC 10 A, 277 VAC
Electronic Driver	Trailing Edge: 16 A, 120/240 VAC 10 A, 277 VAC
Load Type	Device

Electrical Drawing



Ordering Codes

Product		12NC
DMP116	1 x 16 A Phase cut dimmer (Also suitable for UKCA markets)	913703348309