

# DMD316FR-UL

DMC2/DMC4 Signal Dimmer Module



## Specification Sheet

Controllers > DMC Modules



Three-channel DALI Addressable, DALI Broadcast, DSI, or 1-10 V control.

Refer to the DMC2 and DMC4 Specification Sheet for more information.

## Specifications

---

### Electrical

Switched Outputs	3 x 16 A feed-through
------------------	-----------------------

---

### Control

Control Channel Outputs	3 (DALI Addressable, DALI Broadcast, 1-10 V, DSI)
-------------------------	--

---

### Physical

Packed Weight	1.8 kg (3.97 lb)
---------------	------------------

---

Switched Terminals	3 x 2-way screw terminal
--------------------	--------------------------

---

Output Terminals	1 x 6-way pluggable screw terminal
------------------	------------------------------------

---

Terminal Conductor Size	6 mm <sup>2</sup> (#10 AWG) (max)
-------------------------	-----------------------------------

---

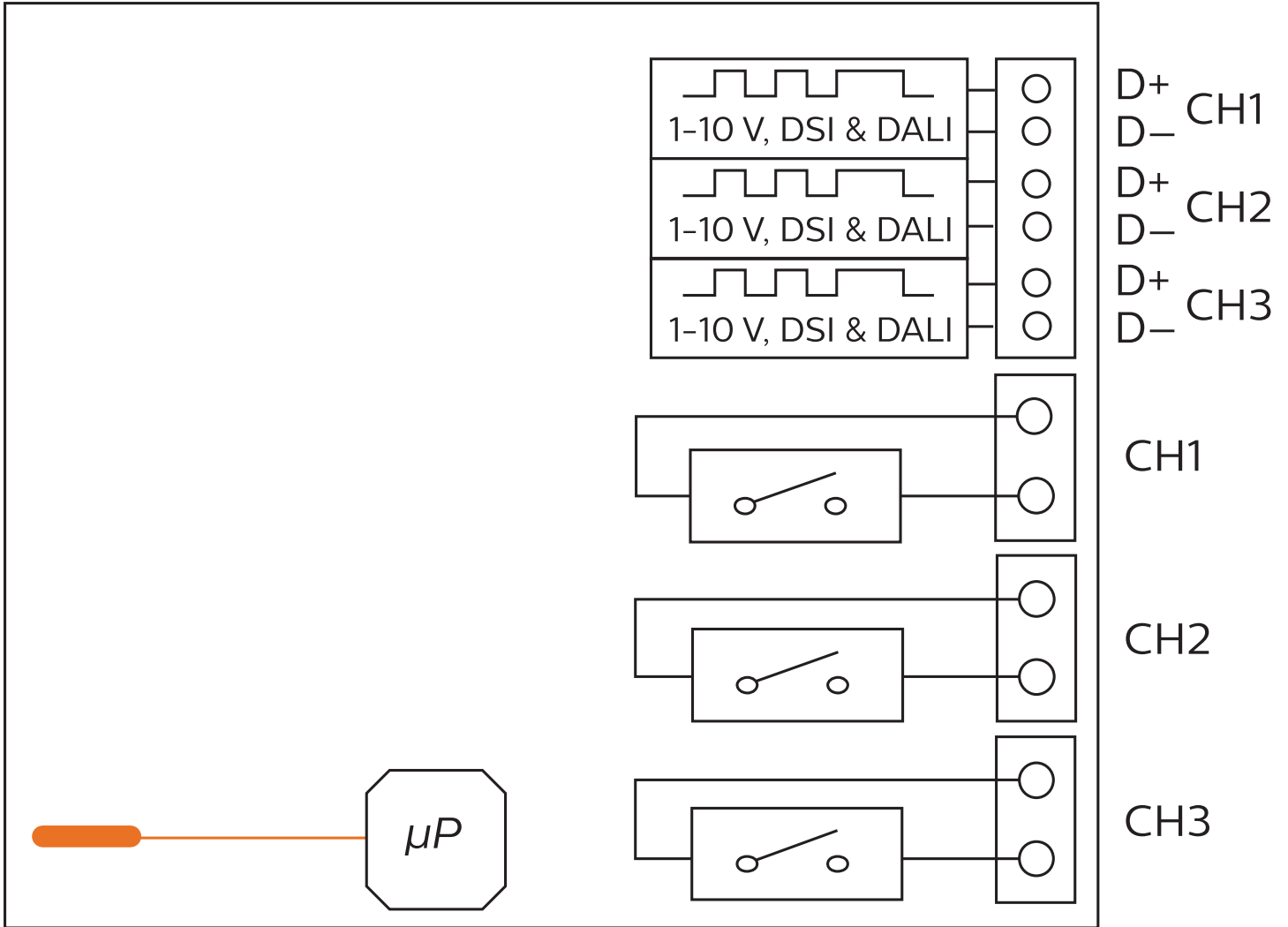
## Output Channel Ratings

Load Type		CH1-CH3 (UL)
General Use		20 A, 300 VAC
Incandescent		20 A, 120 VAC
Magnetic With Halogen		20 A, 347 VAC
Electronic Driver		16 A, 347 VAC
Motor		9.8 FLA (½ HP), 110-125 VAC 10 FLA (1½ HP), 220/277 VAC
Load Type		CH1-CH3 (CSA)
General Use		20 A, 347 VAC
Incandescent		20 A, 120 VAC
Magnetic With Halogen		20 A, 347 VAC
Motor		9.8 FLA (½ HP), 110-125 VAC 10 FLA (1½ HP), 220/277 VAC
Load Type		Device

## Control Channel Ratings

DALI/DSI	
Guaranteed Current	150 mA
Maximum Current	250 mA
Maximum Drivers/Channel	64
Maximum Drivers/Device	192
Insulation	Basic
Notes	Supports Class 1 / Class 2 wiring
1-10 V	
Current (Sink)	50 mA
Current (Source)	50 mA

Electrical Drawing



Ordering Codes

Product	12NC	
DMD316FR-UL	3 x 16 A Signal dimmer control	913703668709