

DMD310 & DMD316

DMC2/DMC4 Signal Dimmer Module



Specification Sheet

Controllers > DMC Modules



Three-channel DALI Addressable, DALI Broadcast, DSI, or 1-10 V control.

Refer to the DMC2 and DMC4 Specification Sheet for more information.

Specifications

Electrical

Switched Outputs 3

Electrical Protection

DMD310-CE 3 x 10 A dual pole C-curve circuit breaker (IEC approved)

DMD316-CE 3 x 16 A dual pole C-curve circuit breaker (IEC approved)

DMD310-RCBO-CE 3 x 10 A C-curve RCBO (IEC approved)

DMD316-RCBO-CE 3 x 10 A C-curve RCBO (IEC approved)

DMD316UL 3 x 20 A dual pole C-curve circuit breaker (UL 489 listed)

Control

Control Channel Outputs 3
(DALI Addressable, DALI Broadcast, 1-10 V, DSI)

Physical

Switched Terminals 3 x 2-way screw terminal

Switched Terminal Conductor Size 16 mm² (#6 AWG) (max)

Output Terminals 1 x 6-way pluggable screw terminal

Output Terminal Conductor Size 6 mm² (#10 AWG) (max)

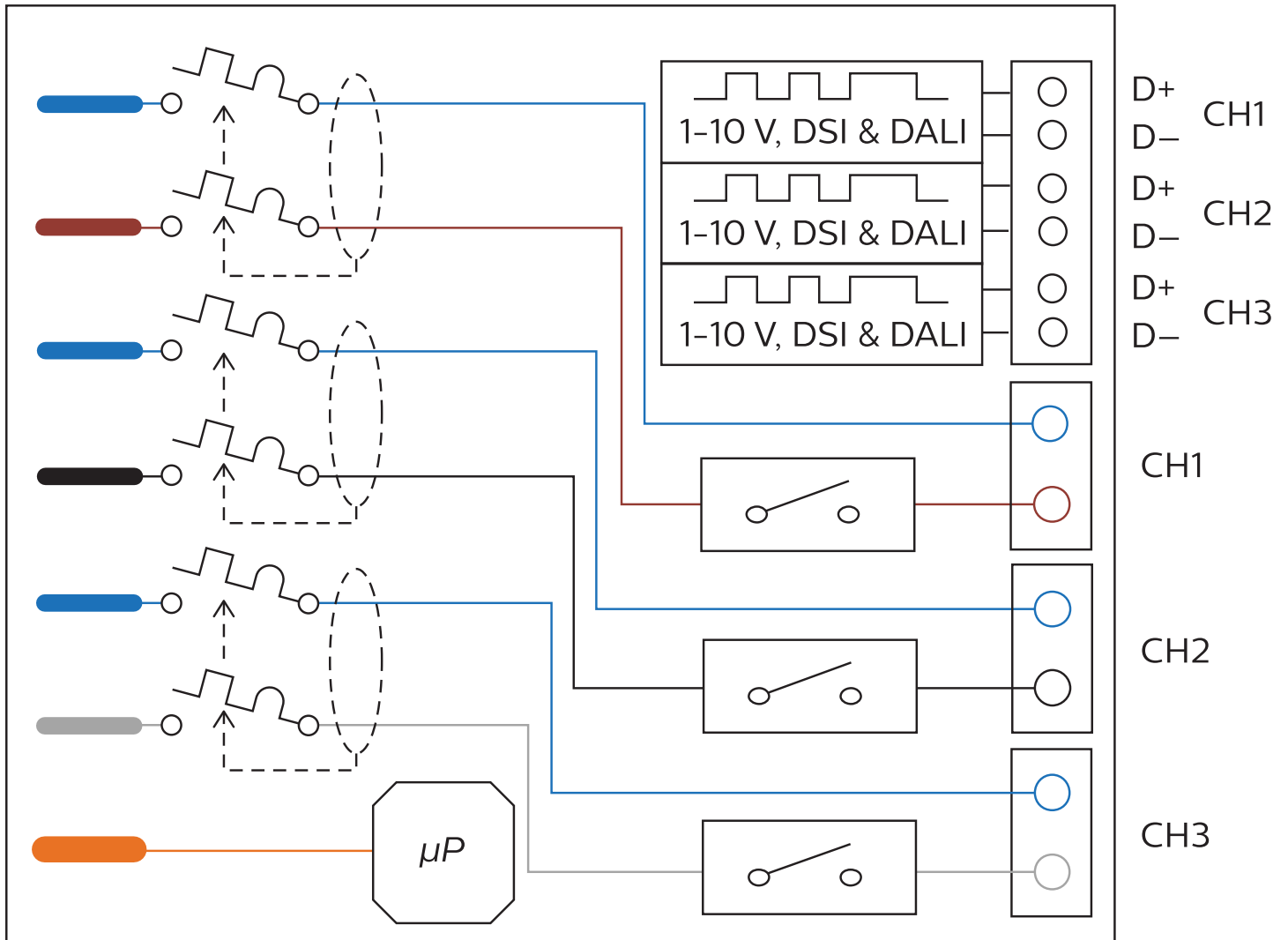
Output Channel Ratings

Load Type		DMD310
Incandescent		10 A, 277 VAC
Magnetic With Halogen		10 A, 277 VAC
Electronic Driver		10 A, 277 VAC
Inrush Current		500 A
Load Type		DMD316
Incandescent		16 A, 277 VAC
Magnetic With Halogen		16 A, 277 VAC
Electronic Driver		16 A, 277 VAC
Inrush Current		500 A
Load Type		Device

Control Channel Ratings

DALI/DSI	
Guaranteed Current	130 mA
Maximum Current	190 mA
Maximum Drivers/Channel	64
Maximum Drivers/Device	192
Insulation	Basic
Notes	Supports Class 1 / Class 2 wiring
1-10 V	
Current (Sink)	50 mA
Current (Source)	50 mA

Electrical Drawing



Ordering Codes

Product		12NC
DMD310-CE	3 x 10 A Signal dimmer control (Also suitable for UKCA markets)	913703666609
DMD310-RCBO-CE	3 x 10 A Signal dimmer control with RCBO (Also suitable for UKCA markets)	913703667109
DMD316-CE	3 x 16 A Signal dimmer control (Also suitable for UKCA markets)	913703666709
DMD316-RCBO-CE	3 x 16 A Signal dimmer control with RCBO (Also suitable for UKCA markets)	913703667209
DMD316-UL	3 x 16 A Signal dimmer control (UL)	913703667509