

PDRDE

Revolution Display EU

signify
Dynalite

Specification Sheet

User Interfaces > Revolution



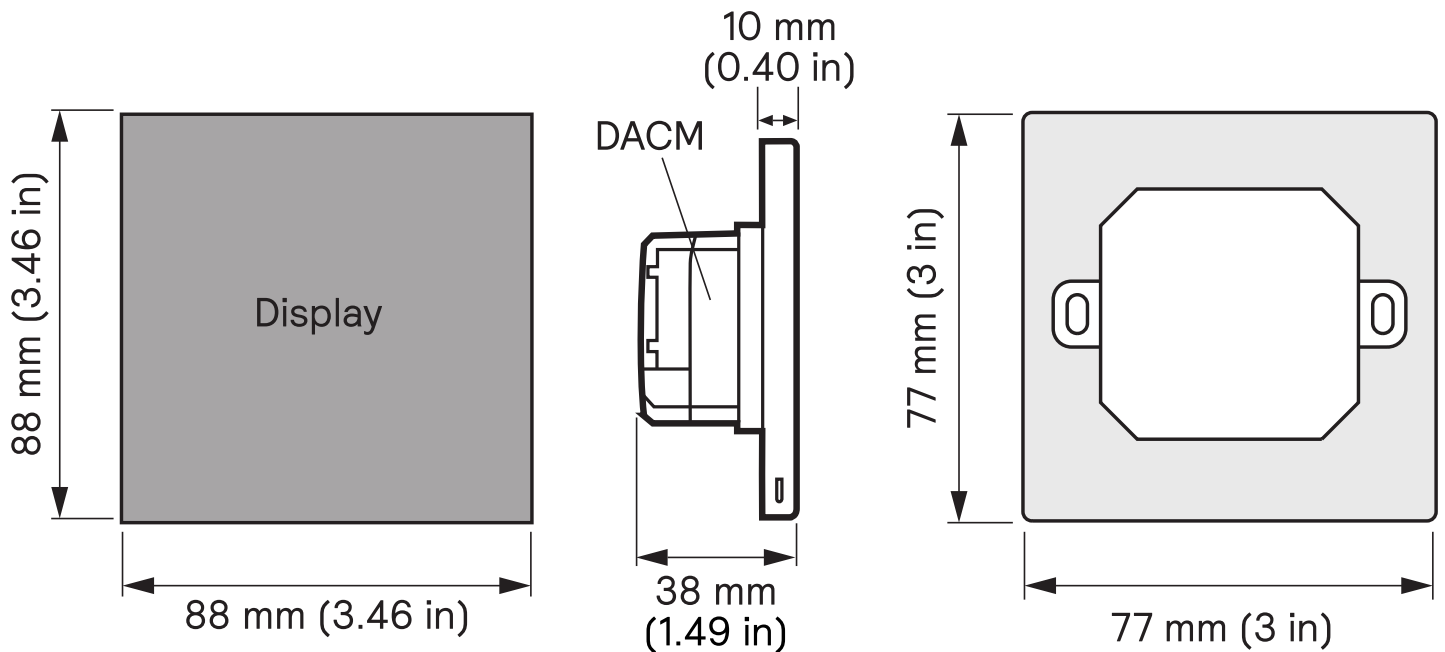
Contemporary touchscreen user interface

Contemporary touchscreen user interface. The Dynalite Revolution Display features a sleek, contemporary design and dynamically detects and responds to user presence. The full-colour capacitive touchscreen display can perform a variety of local and site-wide control functions. The Revolution Euro range is suitable for, but not limited to, European, Middle Eastern, African and Asian markets.

Key Features

- **User proximity detection** - The user interface detects an approaching user and lights up to encourage interaction, then dims automatically as they move away to reduce light pollution.
- **Colour touchscreen display** - Provides at-a-glance system information with intuitive, easily understandable control options.
- **Supplied as two components** - The Application Module contains buttons, rim, base, and mounting plate, which can be mixed and matched to suit décor. The Communication Module contains all of the logical and network functions and is pre-programmed off-site, allowing commissioning to commence prior to finish options being finalised.
- **Multiple language and icon labelling** - Language choices include English, Chinese, and Arabic. A library of common icons transcends language barriers, which is particularly useful in hospitality applications.
- **Hidden sensory inputs** - An internal light sensor measures ambient light and adjusts the lightwash effect accordingly. A built-in temperature sensor automatically adjusts air conditioning when integrated into the system.

Dimensions



Specifications

Electrical

Supply Type	DyNet
Supply Voltage	12–24 VDC (SELV/Class 2)
Supply Current	120 mA (max) @ 12 VDC 60 mA (max) @ 24 VDC
IEC Overvoltage Category	II

Display

Display Type	a-Si TFT LCD capacitive touchscreen
Display Resolution	720 x 720 px
Viewable Area	72 x 72 mm (2.83 x 2.83 in)
Colour Depth	16.7 million colours
Viewing Angle	80°

Application Module

Temperature Sensor Range	5° to 40°C (41° to 104°F)
Temperature Sensor Accuracy	± 1°C (± 1.8°F)
Field Effect Detection Range	approx. 10 cm (4 in)

Communication Module

Serial Ports	1 x RS-485
Supported Protocols	DyNet
User Controls	1 x service switch
Indicators	1 x service LED

Physical

Dimensions	88 x 88 x 38 mm (3.46 x 3.46 x 1.5 in) (Fully assembled)
Packed Weight	Application module: 0.2 kg (0.44 lb) Communication module: 0.12 kg (0.25 lb)
Serial Ports	1 x 5-way pluggable screw terminal
Serial Port Conductor Size	0.3–2.5 mm ² (#22–12 AWG)

Environment

Operating Temperature	0° to 50°C ambient (32° to 122°F)
Storage/Transport Temperature	-25° to 70°C ambient (-13° to 158°F)
Relative Humidity	≤90% non-condensing
IEC Pollution Degree	II
Installation Note	Indoor installation only

Compliance

Certifications	CE, RCM, FCC, UKCA
Sustainability	RoHS
IP Rating	IP40



Ordering Codes

Application Module Ordering Codes

The Application Module contains the display assembly and metal mounting plate that attaches the Revolution panel securely to the wall, ensuring stable, reliable operation.

Product		12NC
PDRDxxE-xxB-x	Black	913703375209
PDRDxxE-xxW-x	White	913703252009

Communication Module

The Dynalite Application Communication Module (DACM v5 or later) is compatible with all interfaces across the Revolution series, and can be ordered, programmed, installed, wired and tested without the Application Module attached.



This allows the commissioning process to begin before the final finish options have been chosen, or during construction, and protects the Application Module from damage until the site is ready for occupancy.

Product		12NC
DACM-DyNet	DyNet comms module	913703072809

Accessory		12NC
D-DACM-DINGUS-RJ12-QTY10	Dual RJ12 connector with earth wire - pack of 10	913703255209
D-DACM-DINGUS-RJ45-QTY10	Dual RJ45 connector with earth wire - pack of 10	913703254809