

PD-PCN

USB-C PC Node



Specification Sheet

Accessories > Connectivity Accessories



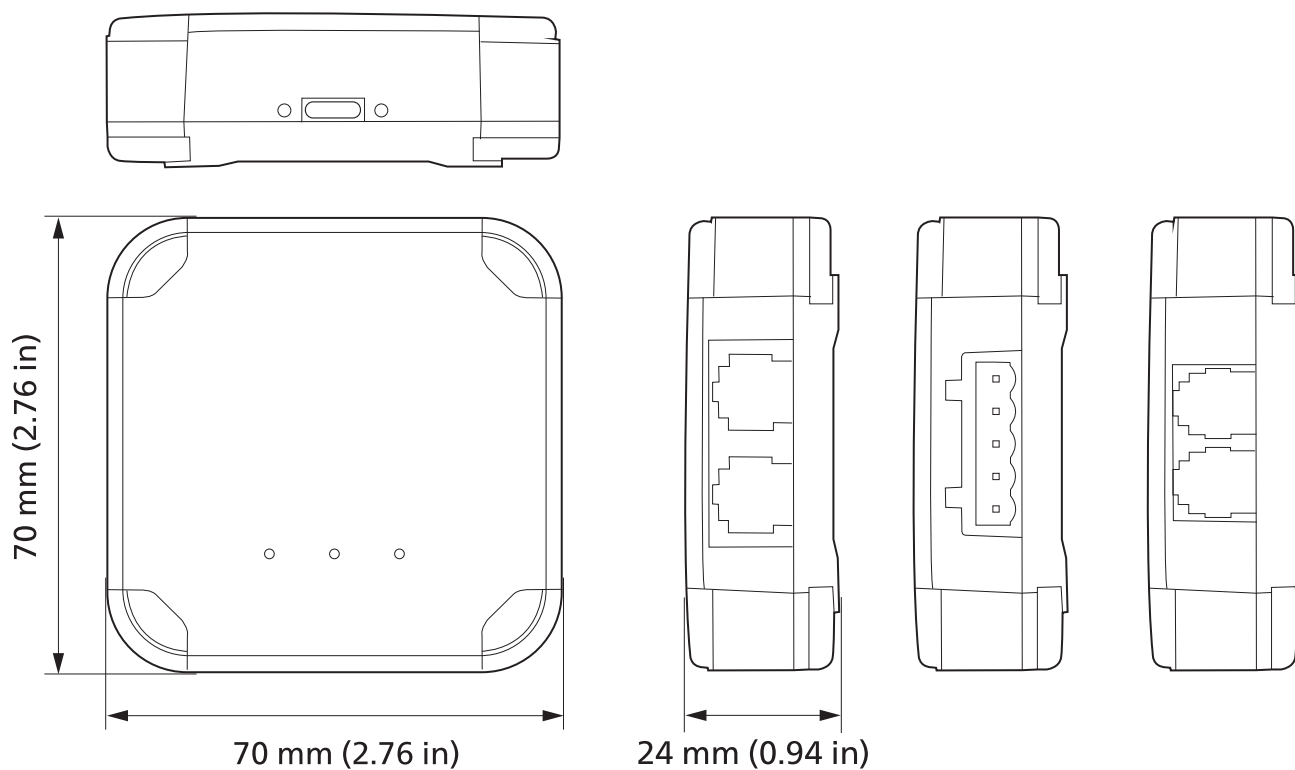
PC connection node

The Dynalite PD-PCN provides a USB connection from your PC to the Dynalite system.

Key Features

- **Useful interface for any Windows PC** - Provides complete access to all network messages present on the DyNet network.
- **Commissioning and maintenance tool** - Can be used in conjunction with Dynalite System Builder to commission, configure, and diagnose Dynalite devices.
- **Versatile mounting** - Robust housing includes cable tie attachment points for easy installation onto server racks or other IT infrastructure.
- **Easy network connection** - Included PDC-DINGUS-UI accessory with screw terminal and RJ12 ports enables commissioning techs to tap into an existing network and maintain connection to all devices.
- **Reliable PC connection** - Can be used as a permanent gateway to the system for the Dynalite System Manager head-end software.
- **Optical isolation** - Separation of USB and RS-485 interfaces protects connected devices from accidental damage or data loss caused by an electrical fault on the other side.

Dimensions



Specifications

Electrical	
Supply Type	DyNet/USB
Supply Voltage	DyNet: 12–24 VDC USB: 5 VDC
Supply Current	DyNet: 15 mA USB: 10 mA
Serial Port Isolation	Optical
IEC Overvoltage Category	II

Control	
Communication Ports	1 x RS-485 1 x USB-C
Supported Protocols	DyNet
Indicators	1 x DyNet Power LED (red) 1 x Data LED (green) 1 x USB Power LED (blue)

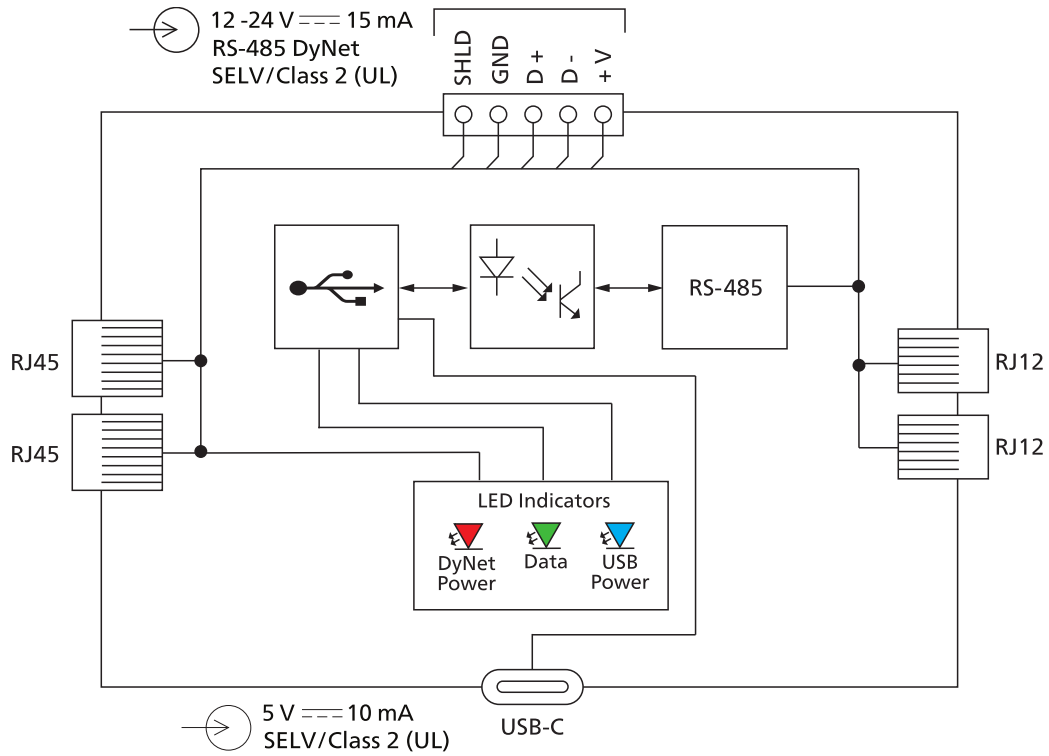
Physical	
Dimensions	70 x 70 x 24 mm (2.76 x 2.76 x 0.94 in)
Packed Weight	184 g (0.4 lb)
Construction	Polycarbonate
Serial Ports	1 x 5-way pluggable screw terminal 2 x RJ45 2 x RJ12 1 x USB-C
Serial Port Conductor Size	0.3–2.5 mm ² (#22–12 AWG)

Environment	
Operating Temperature	0° to 50°C ambient (32° to 122°F)
Storage Temperature	-25° to 70°C ambient (-13° to 158°F)
Relative Humidity	≤90% non-condensing
IEC Pollution Degree	II
Installation Note	For indoor installation only

Compliance	
Certifications	CE, RCM, UKCA, FCC, ISED
Sustainability	RoHS
IP Rating	IP20



Electrical Drawing



Ordering Codes

Product	12NC
PD-PCN	913703380709

Accessory	12NC
1 x USB-C Cable	(supplied)
1 x RJ12 Cable	(supplied)
1 x PDC-DINGUS-UI (commissioning dingus)	(supplied)
1 x 5-pin pluggable screw terminal	(supplied)