



DDNG232

RS-232 Network Gateway

DIN rail serial port integration

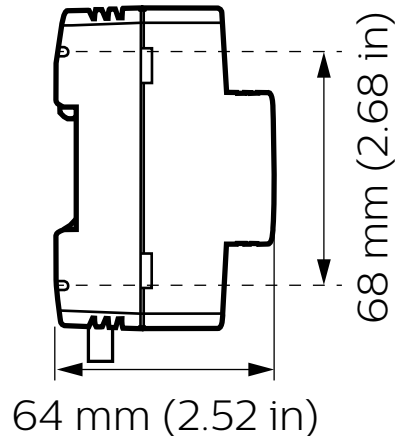
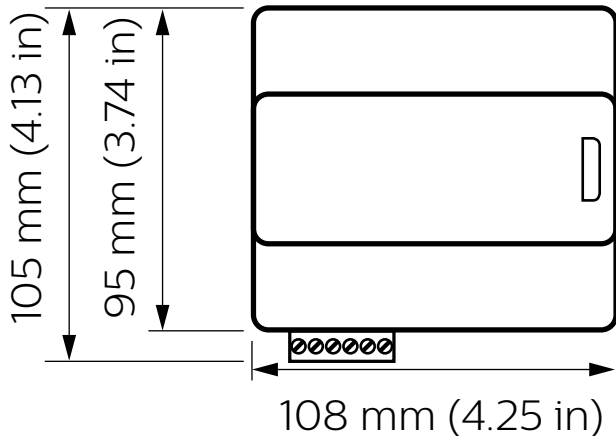
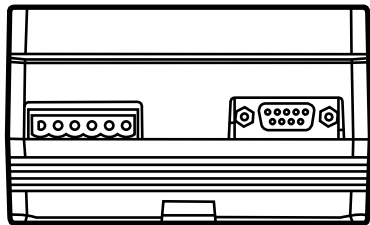
The Philips Dynalite DDNG232 network gateway provides cost-effective serial port integration between a DyNet network and third-party systems.

DDNG232

DIN-rail serial port integration

- **Seamless integration with third-party systems** – Including AV systems, lighting desks, data projectors, HVAC, BMS, and security systems.
- **Internal controls** – Programmable logic controller capable of comprehensive conditional and sequential logic and arithmetic function processing.
- **Predefined data format library or create your own** – A library of data formats is available for system integrators, or can be created using the onboard conditional logic engine to assemble and transmit user-defined data strings.
- **Macro functions available** – Simplify the control of multiple devices.
- **Flexible mounting solution** – DIN rail mountable, designed to be installed into a distribution board or other electrical enclosure.

Dimensions



Specifications

Due to continuous improvements and innovations, specifications may change without notice.



DDNG232
RS-232 Network Gateway

Electrical

Supply Voltage (Port 1)	12-24 VDC SELV / Class 2 (UL)
Supply Current	70 mA (max)
IEC Overvoltage Category	III

Control

Communication Ports	1 x RS-485 (9,600-115,200 bps) 1 x RS-232 (max 120,000 bps)
Supported Protocols	DyNet
RS-232 Port Modes	DTE, DCE (jumper-selectable)
Dry Contact Inputs	1 x AUX SELV / Class 2 (UL)
User Controls	1 x service switch
Indicators	1 x service LED
Diagnostic Functions	Device online/offline status

RS-232 Data Formats

Maximum Packet Length	254 bytes
Data Bits	7/8
Stop Bits	1/2
Parity	Odd/even/none
Flow Control	None/RTS-CTS

Physical

Dimensions (H x W x D)	95 x 108 x 64 mm (3.74 x 4.25 x 2.52 in)
Packed Weight	0.22 kg (0.49 lb)
Construction	G3.1-style plastic DIN rail enclosure (6 unit)
Communication Ports	1 x 6-way pluggable screw terminal 1 x DB-9 D-Sub right-angle receptacle
Communication Terminal Conductor Size	0.3 - 2.5 mm ² (22 - 12 AWG)

Environment*

Operating Temperature	0° to 50°C ambient (32° to 122°F)
Storage/Transport Temperature	-25° to 70°C ambient (-13° to 158°F)
Humidity	0 to 90% non-condensing
IEC Pollution Degree	II

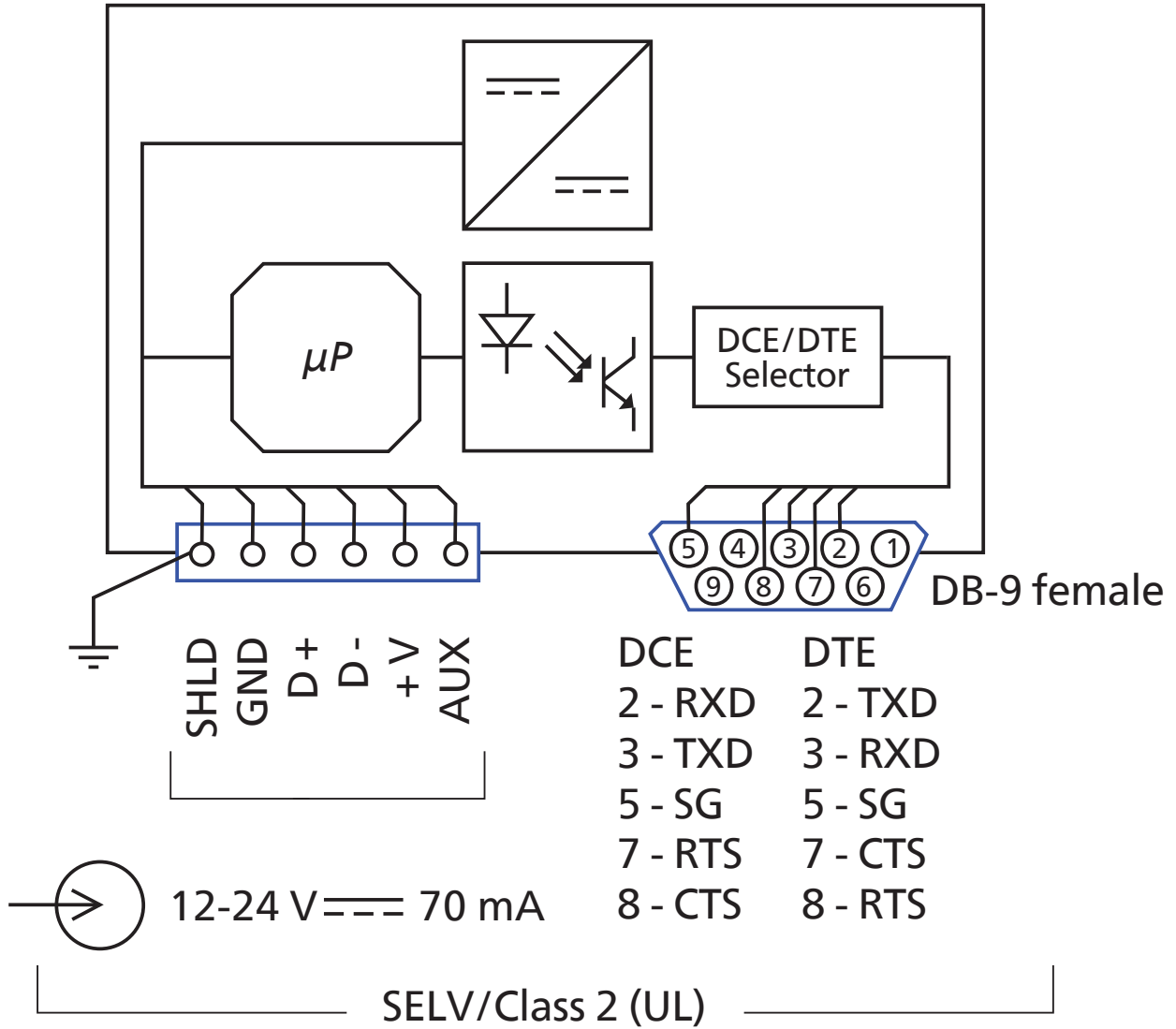
Compliance

Certification	CE, RCM, UL/cUL, FCC, ICES, UKCA, RoHS
---------------	--

* Install in a dry indoor well-ventilated location only
Minimum 45 mm top and bottom clearance



Electrical



Ordering Code

Product

DDNG232

Philips 12NC

913703366909

© 2024 Signify Holding.

All rights reserved. Specifications are subject to change without notice. No representation or warranty as to the accuracy or completeness of the information included herein is given and any liability for any action in reliance thereon is disclaimed. Philips and the Philips Shield Emblem are registered trademarks of Koninklijke Philips N.V. All other trademarks are owned by Signify Holding or their respective owners.



www.dynalite.com

Revision 06 – 2024-11-29