

DDC116-UL


Signal Dimmer Controller



Installation Instructions

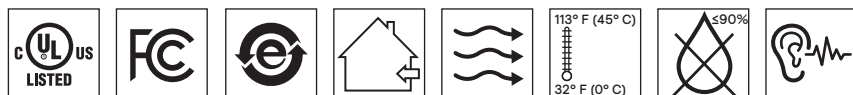
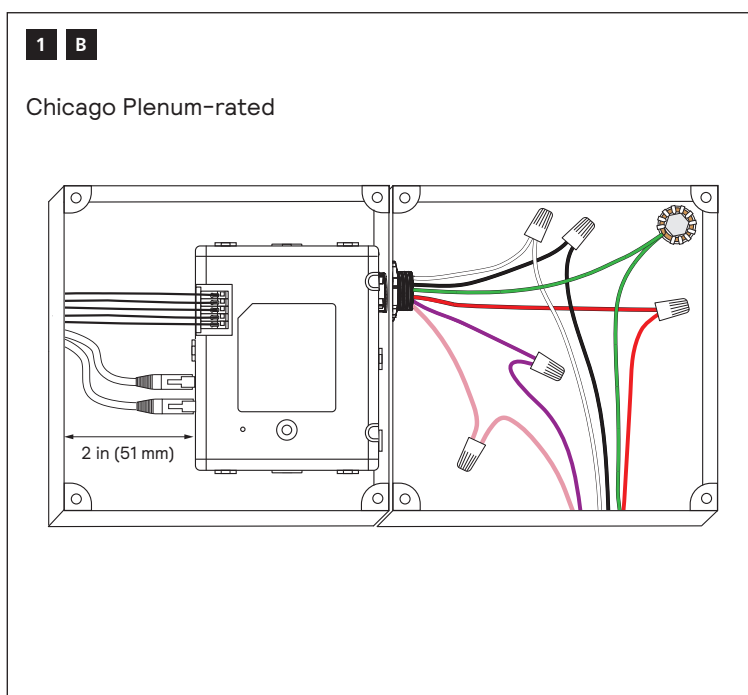
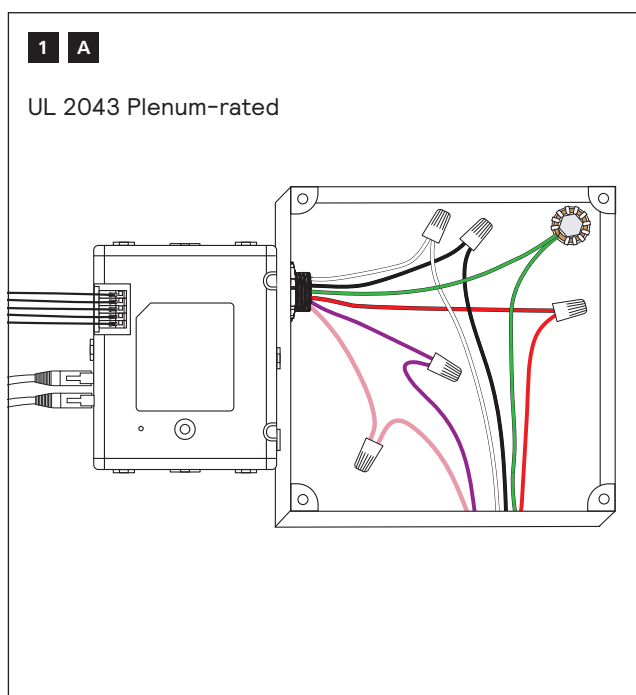
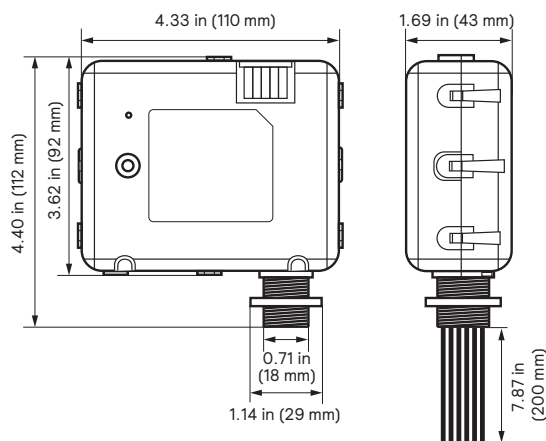
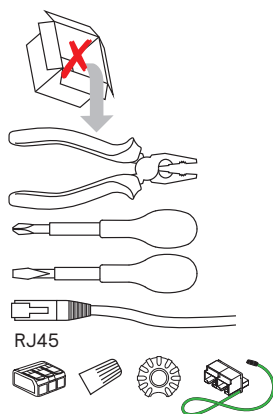
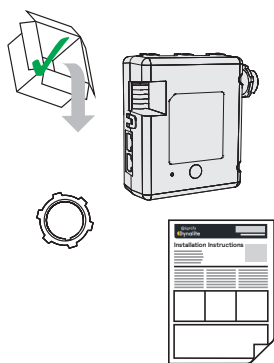
Instructions d'installation
Instrucciones de instalación

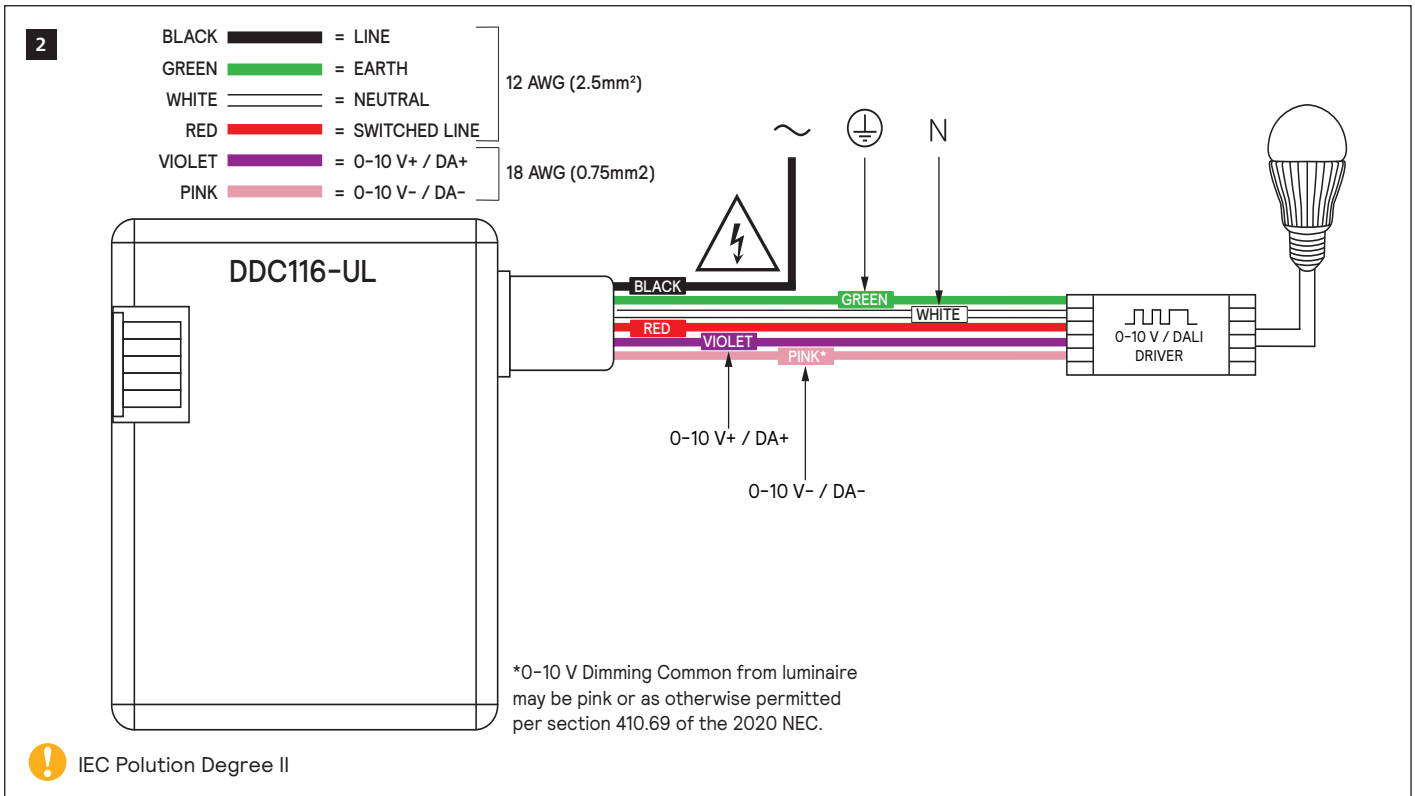


 Devices must be installed by a qualified electrician in accordance with all national and local electrical and construction codes and regulations.

Les appareils doivent être installés par un électricien diplômé conformément à tous les codes et réglementations électriques et de construction nationaux et locaux.

Los dispositivos deben ser instalados por un electricista calificado y cumpliendo todas las normas y regulaciones, tanto nacionales como locales, sobre instalaciones eléctricas y obras.

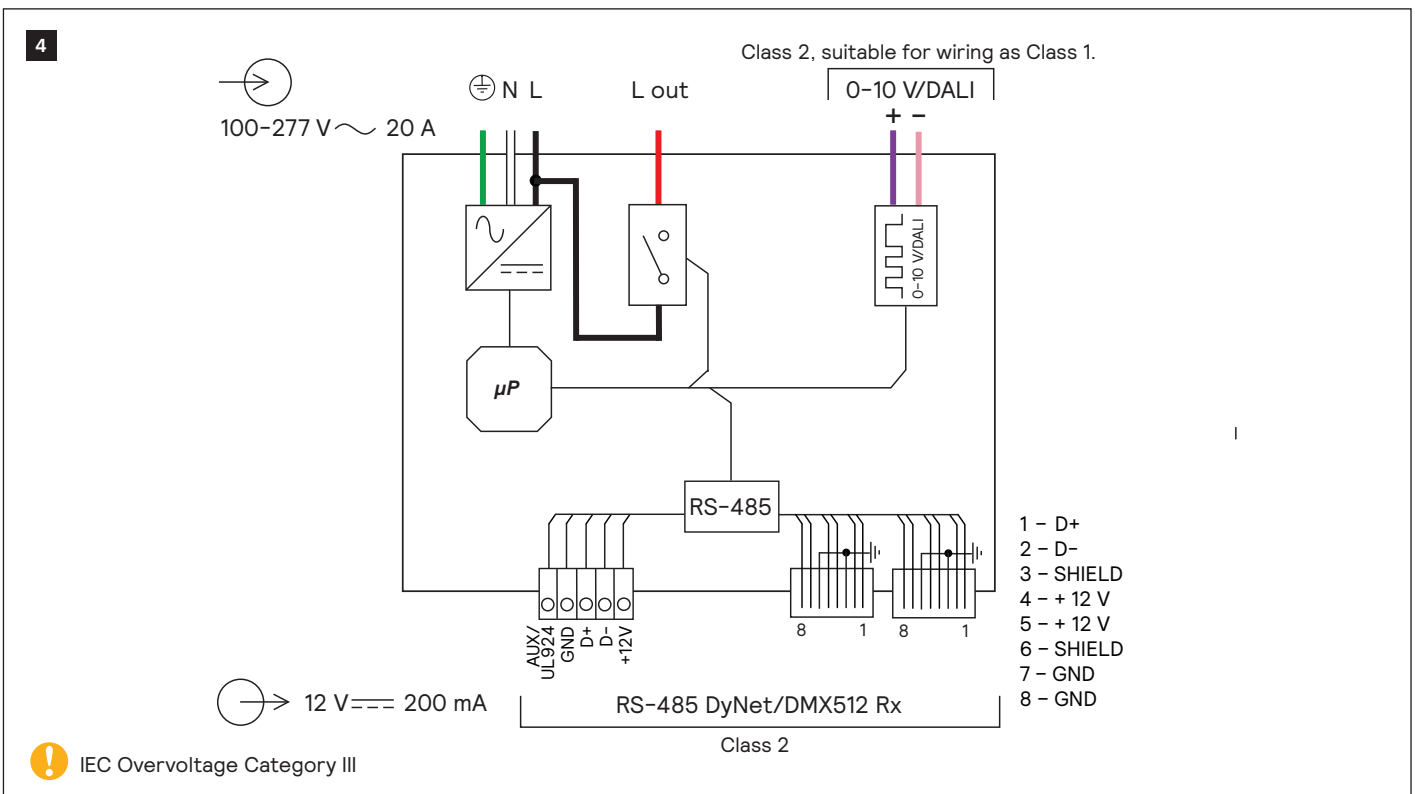




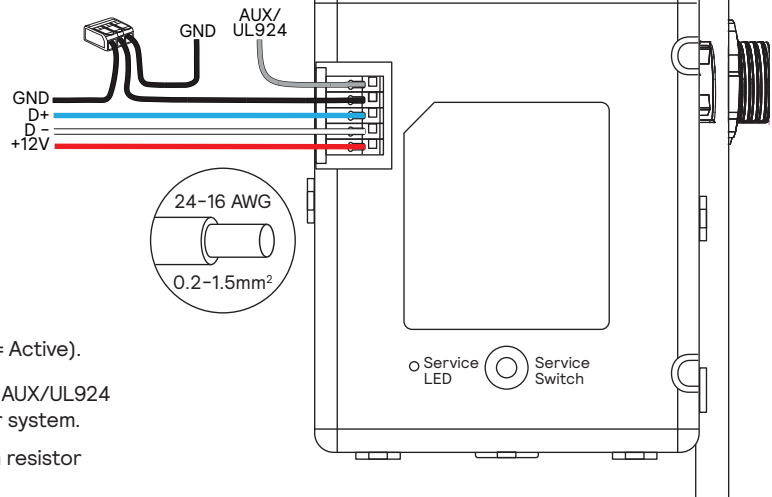
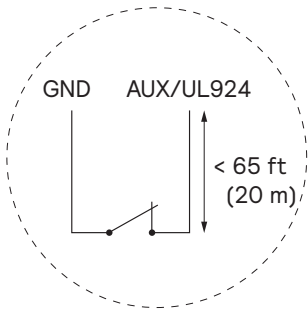
3

Output Ratings		Control Channel Ratings	
Load Type			
General Use*	20 A, 277 V ~		
Electronic Driver	16 A, 277 V ~		
Pilot Duty	6 A, 120 V ~	DALI Broadcast	≤ 40
	3 A, 240 V ~		Guaranteed 100 mA
	2.6 A, 277 V ~		Maximum 250 mA
Motor	16 FLA (1 HP), 120 V ~		Insulation: basic
	14.5 FLA (2 1/2 HP), 240 V ~	0-10 V	Sink 100 mA
	14.1 FLA (3 HP), 277 V ~		Source 100 mA

! To avoid electrical overload, total external connected load must not exceed output rating.

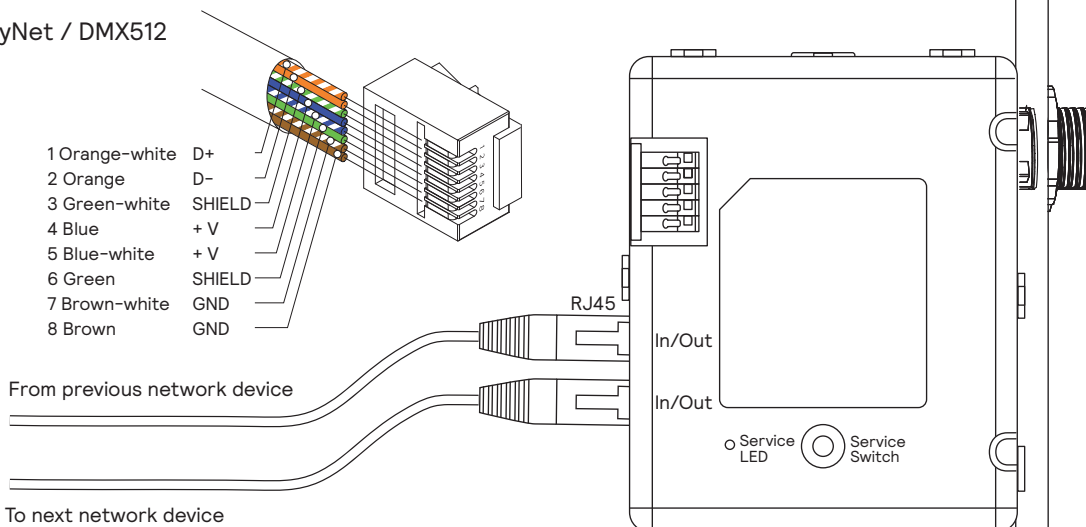


5 RS-485 DyNet / DMX512 and UL924



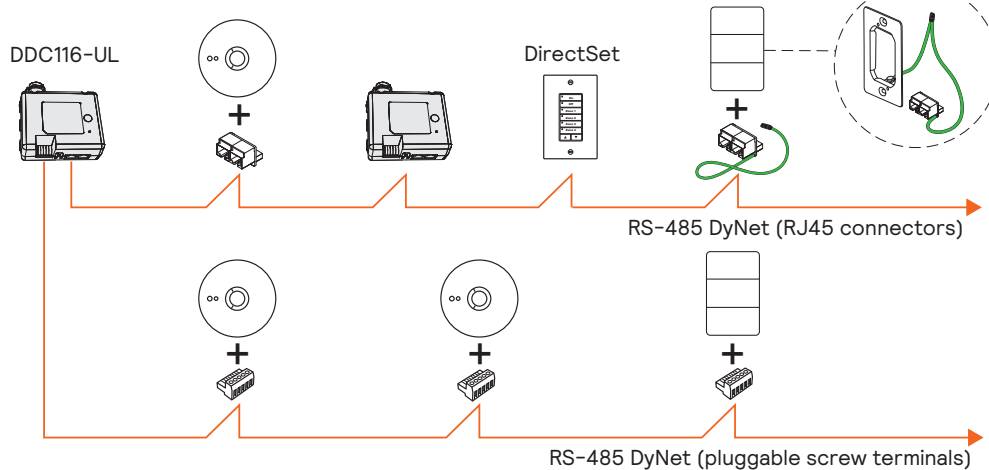
- ⚠ AUX/UL924 default is Normally Closed (Open = Active).
- ⚠ Please remove jumper wire between GND and AUX/UL924 terminals if connecting to Emergency or other system.
- ⚠ For DMX512, add a 120 Ohm, 0.5 W termination resistor across D+ and D- on the last DMX512 device.

6 RS-485 DyNet / DMX512

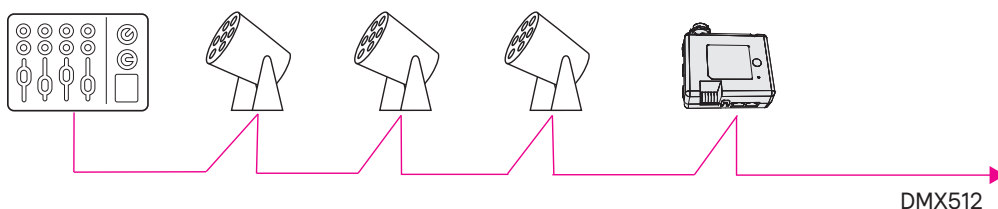


- ⚠ Pin numbering and color in accordance with ANSI/TIA/EIA-568 scheme T568B.

7 A



7 B



8**Service switch functions**

1 short push – Send network ID.

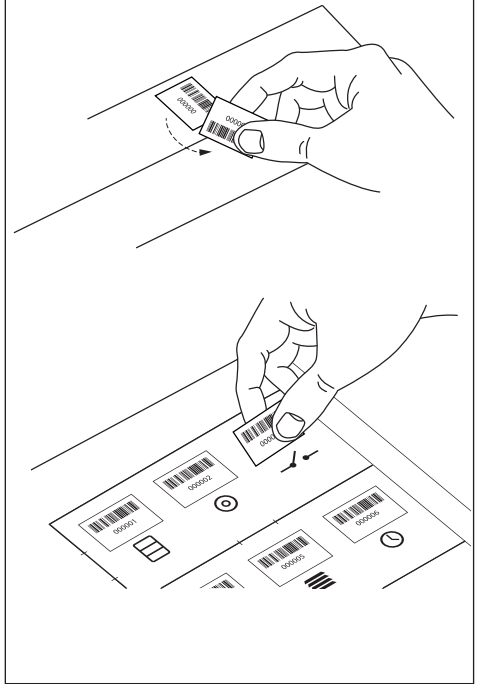
3 short pushes – Set lights to 100%.

4 short pushes – **Test Mode** (LED blinking pattern changes and lights flash for 5 minutes).

- 1 short push – Toggle control type between 0-10 V (Red LED) and DALI Broadcast (Green LED).
- Push and hold for 4 seconds – Save control type and exit Test Mode.

Push and hold for 4 seconds – **Program Mode** (Blue LED flash count indicates the controller zone assignment). Program Mode times out after 30 seconds of inactivity, discarding changes

- Short push – Cycle through zone numbers (after each push, the flash count indicates the controller zone assignment).
 - Zone 1 = Screen/Presentation Zone (default).
 - Zone 2 = Generic Lighting Primary Zone.
 - Zone 3 = Generic Lighting Secondary Zone.
 - Zone 4 = Generic Lighting Primary Daylight Zone.
 - Zone 5 = Generic Lighting Secondary Daylight Zone (20% brighter).
 - Zone 6 = Plug Load Zone.
- Push and hold for 4 seconds – Save changes and exit Program Mode. The device reboots and ready to start work.

9

IMPORTANT SAFEGUARDS

When using electrical equipment, basic safety precautions should always be followed including the following:

READ AND FOLLOW ALL SAFETY INSTRUCTIONS

- Do not use outdoors
- Do not use this equipment for other than the intended use.

SAVE THESE INSTRUCTIONS

⚠ Caution – 0-10 V/DALI wires may be either Class 1 or Class 2 depending on the installation and ratings of the connected devices – Class 1 applications are not SELV and should never be considered touch safe. Basic insulation or higher is required between 0-10 V/DALI wires and mains cabling as per local electrical codes.

⚠ Caution – Any modifications not approved by the manufacturer of this device could void the user's authority to operate this device.

⚖ FCC and RSS-210 of IC (Industry Canada) Rules – This equipment has been tested and found to comply with the limits for a Class B digital device, pursuant to part 15 of the FCC Rules and pursuant to RSS210 of the IC Rules. These limits are designed to provide reasonable protection against harmful interference in a residential installation. This equipment generates, uses, and can radiate radio frequency energy and, if not installed and used in accordance with the instructions, may cause harmful interference to radio communications. However, there is no guarantee that interference will not occur in a particular installation. If this equipment does cause harmful interference to radio or television reception, which can be determined by turning the equipment off and on, the user is encouraged to try to correct the interference by one or more of the following measures: Reorient or relocate the receiving antenna. Increase the separation between the equipment and receiver. Connect the equipment into an outlet on a circuit different from that to which the receiver is connected. Consult the dealer or an experienced radio/TV technician for help. Any modifications not approved by the manufacturer of this device could void the user's authority to operate this device.

⚖ This device complies with part 15 of the FCC Rules. Operation is subject to the following two conditions: (1) This device may not cause harmful interference, and (2) this device must accept any interference received, including interference that may cause undesired operation.

⚖ This Class B digital apparatus complies with Canadian ICES-003: CAN ICES-003(B)/NMB-003(B). Cet appareil numérique de la Classe B est conforme à la norme NMB-003 du Canada: CAN ICES-003(B)/NMB-003(B).