

PDEB

Ethernet Bridge

Inexpensive Ethernet integration

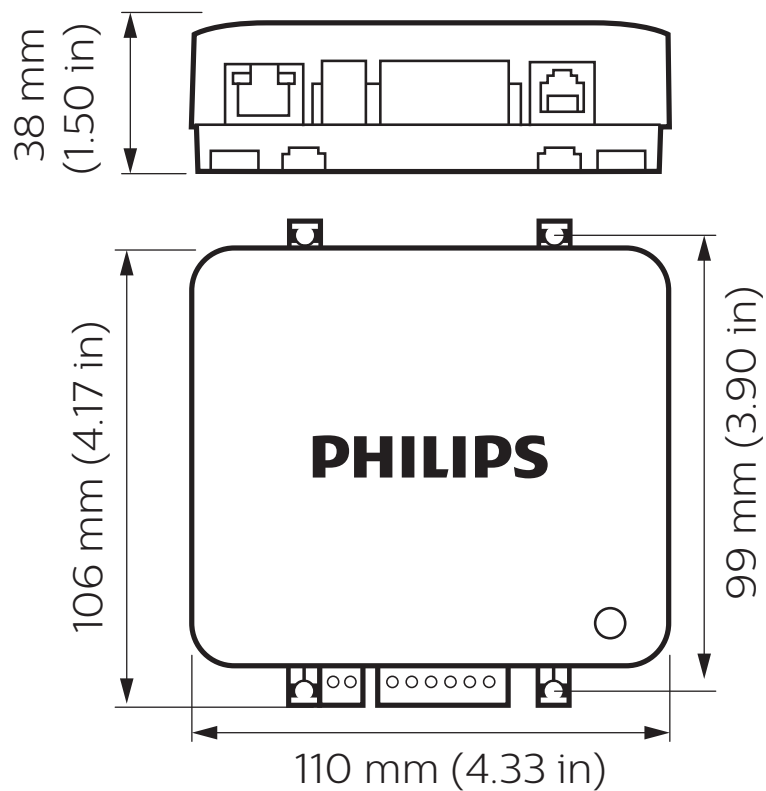
The Philips Dynalite PDEB provides a standard Ethernet connection to a Philips lighting control system in applications ranging from tunnels to hotel rooms. It provides bridging functionality between an Ethernet backbone and DyNet devices.

PDEB

Inexpensive Ethernet integration

- **Powerful custom task engine** – Allows users or third-party systems to run macros such as 'After Hours', 'Shut Down', 'Welcome' and more.
- **Versatile mounting options** – Hybrid mounting clips allow the device to be mounted on a DIN-rail or to any flat surface.

Dimensions



Specifications

Due to continuous improvements and innovations, specifications may change without notice.



PDEB
Ethernet Bridge

Electrical

Supply Type	DyNet or DC*
Supply Voltage	12-24 VDC†
DC Supply Current	300 mA @ 12 V 250 mA @ 24 V
DyNet Supply Current	100 mA @ 12 V 50 mA @ 24 V
DyNet DC Output Current‡	200 mA
IEC Overvoltage Category	III

Control

Communication Ports	1 x RS-485 1 x Ethernet (10/100 baseT)
Supported Protocols	DyNet DMX TCP/IP (TCP, UDP) IPv4, IPv6
Dry Contact Inputs	1 (AUX)
User Input	1 x service switch
Indicators	1 x service LED

- * From external regulated SELV / Class 2 supply
- † Power supply voltage shall match network voltage
- ‡ If powered by external SELV / Class 2 supply

Physical

Dimensions (H x W x D)	106 x 110 x 38 mm (4.17 x 4.33 x 1.50 in)
Packed Weight	0.21 kg (0.46 lb)
Construction	Low profile DIN-rail polycarbonate (6 unit)
Communication Ports	1 x RJ45 1 x RJ12 1 x 6-way pluggable screw terminal
Communication Terminal Conductor Size	2.5 mm ² (#12 AWG) (max)
Supply Terminals	1 x 2-way pluggable screw terminal
Supply Terminal Conductor Size	2.5 mm ² (#12 AWG) (max)

Environment**

Operating Temperature	-20° to 50°C ambient (-4° to 122°F)
Storage/Transport Temperature	-25° to 70°C ambient (-13° to 158°F)
Humidity	0 to 90% non-condensing
IEC Pollution Degree	II

Compliance

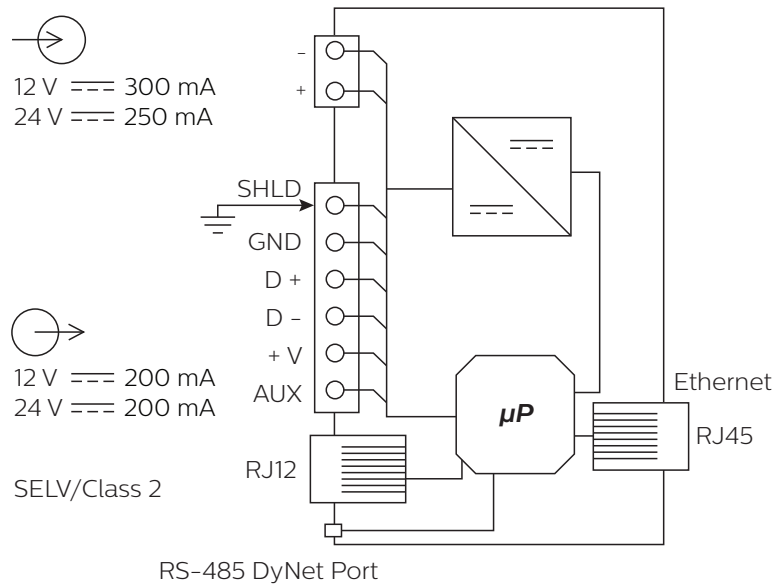
Certification	CE, RCM, UL/cUL, FCC, ICES, UKCA, RoHS
---------------	--

- ** For indoor installation only

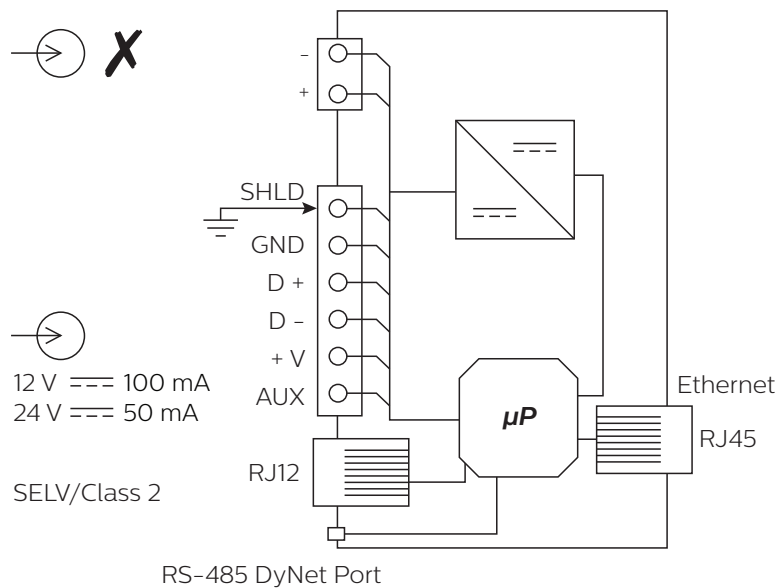


Electrical

SELV/CLASS 2 supply with full DyNet load



DyNet supply



Ordering Code

Product

PDEB

Philips 12NC

913703240009

Accessories

DDNP1501 (12 VDC network power supply)

913703090309

DMNP24040-P-NA (24 VDC network power supply)

913703580309

© 2024 Signify Holding.

All rights reserved. Specifications are subject to change without notice. No representation or warranty as to the accuracy or completeness of the information included herein is given and any liability for any action in reliance thereon is disclaimed. Philips and the Philips Shield Emblem are registered trademarks of Koninklijke Philips N.V. All other trademarks are owned by Signify Holding or their respective owners.



www.dynalite.com

Revision 09 – 2024-01-16