

PDTS

Networked Touchscreen

signify
Dynalite

Specification Sheet

User Interfaces > Touchscreen



Advanced building automation and control at your fingertips

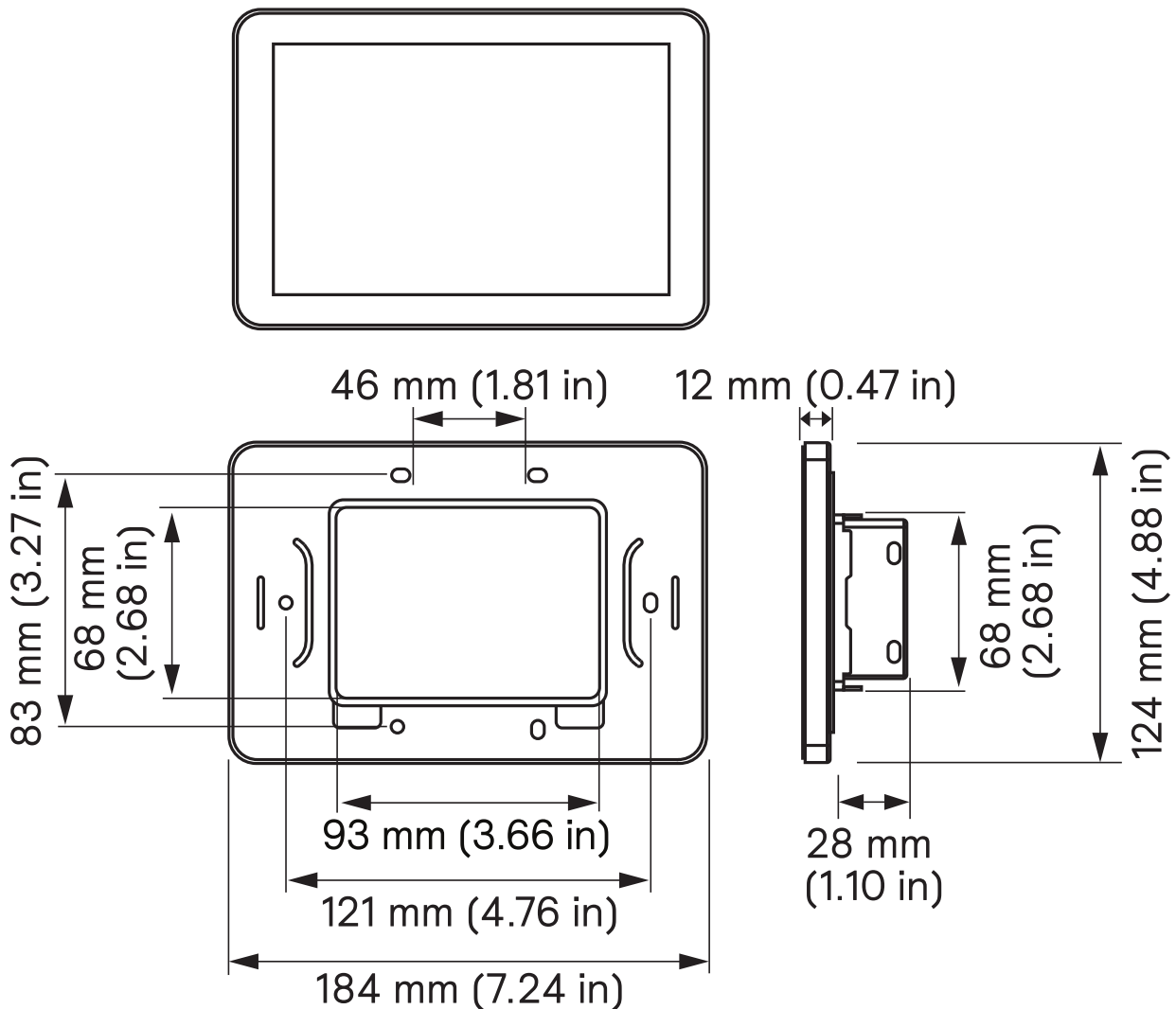
Designed as an integral part of the Dynalite system, the PDTS offers intelligent control and direct access to scheduling, scene editing, diagnostics, and local environmental sensing.

Combining Ethernet connectivity, a powerful onboard processor, and contemporary design cues from the Antumbra user interface range, the PDTS is a sleek, functional complement to any project.

Key Features

- **178 mm capacitive touchscreen** - With 1280 x 800 resolution and rich colour.
- **Proximity sensor** - Triggers soft halo light effect to welcome user interaction.
- **Gigabit Ethernet port** - Provides access for commissioning and file transfers.
- **Internal astronomical timeclock** - Enables advanced scheduling of behaviour, options, and automated tasks based on time of day or sunrise/sunset.
- **Customisable graphical menus** - Seamless control of lighting, curtains/blinds, HVAC, A/V equipment, and compatible third-party systems.
- **Built-in environmental sensors** - Humidity and temperature can be displayed on standby screen and communicated to third-party systems.
- **Templated commissioning option** - Simply load the project XML file for fast configuration, or upload custom web pages via System Builder.
- **Thin profile and easy mounting** - Fits industry-standard double wall boxes (EU or US)
- **Secure access** - Employs HTTPS for secure, encrypted network communication, with support for onboard security certificates.
- **User authentication** - Secure login feature available for CGI commands and user functions, with customisable access levels for each user.

Dimensions



Specifications

Electrical	
Supply Type	External regulated DC SELV / CLASS 2 (UL) (sold separately)
Supply Voltage	12-24 VDC
Supply Current	500 mA @ 12 VDC 300 mA @ 24 VDC
DyNet DC Output Voltage	None
IEC Overvoltage Category	II
Notes	Cannot be powered from DyNet bus. Refer to Installation Instructions for correct wiring termination.

Control	
Communication Ports	1 x RS-485 1 x Ethernet (100 BaseT)
Supported Protocols	DyNet TCP/IP (TCP, UDP, IPv4/IPv6) HTTPS / CGI
Clock Features	365 day clock Lithium backup battery Sunrise/sunset tracking Automatic daylight saving adjustment
Storage Capacity	16 MB file storage (max) 28-day rolling network log 250 timed events 64 tasks
User Controls	1 x service/reset switch
Indicators	Power Cycle LED (blue) Boot/Recovery Mode LED (red)
Audio	1 x Speaker

Display	
Display Type	LCD capacitive touchscreen
Display Resolution	1280 x 800
Viewable Area	94 x 150 mm (3.70 x 5.91 in) Diagonal: 178 mm (7.01 in)
Colour Depth	16 million colors
Viewing Angle	80°
Display Orientation	Landscape only

Physical	
Dimensions	124 x 184 x 40 mm (7.24 x 4.88 x 1.57 in)
Mounted Thickness	11 mm (0.43 in)
Packed Weight	0.7 kg (1.54 lb)
Fascia Finish	Glass
Serial Ports	1 x RJ45 (Ethernet) 1 x 5-way pluggable screw terminal
Serial Port Conductor Size	0.3-2.5 mm ² (#22-12 AWG)
Supply Terminals	1 x 2-way pluggable screw terminal
Supply Terminal Conductor Size	≤2.5 mm ² (#12+ AWG)

Environment	
Operating Temperature	0° to 45°C ambient (32° to 113°F)
Storage/Transport Temperature	-25° to 55°C ambient (-13° to 140°F)
Relative Humidity	≤90% non-condensing
IEC Pollution Degree	II
Installation Note	Indoor installation only

Compliance	
Certifications	CE, RCM, UL, FCC, ISED, UKCA
Sustainability	RoHS
IP Rating	IP40



Ordering Codes

Product	12NC
PDTS	913703092309

Accessory	12NC
DDNP1501 Network Power Supply	913703130509