

PDTS

Networked Touchscreen

Installation Instructions

- Instructions d'installation
- Installationsanweisungen
- Instrucciones de instalación
- Istruzioni per l'installazione
- Installatie-instructies
- インストール手順
- 安裝指南
- إرشادات التركيب



⚡ Devices must be installed by a qualified electrician in accordance with all national and local electrical and construction codes and regulations.

Les appareils doivent être installés par un électricien diplômé conformément à tous les codes et réglementations électriques et de construction nationaux et locaux.

Die Geräte sind von einem qualifizierten Elektriker in Übereinstimmung mit allen geltenden Vorschriften zu installieren.

Los dispositivos deben ser instalados por un electricista calificado y cumpliendo todas las normas y regulaciones, tanto nacionales como locales, sobre instalaciones eléctricas y obras.

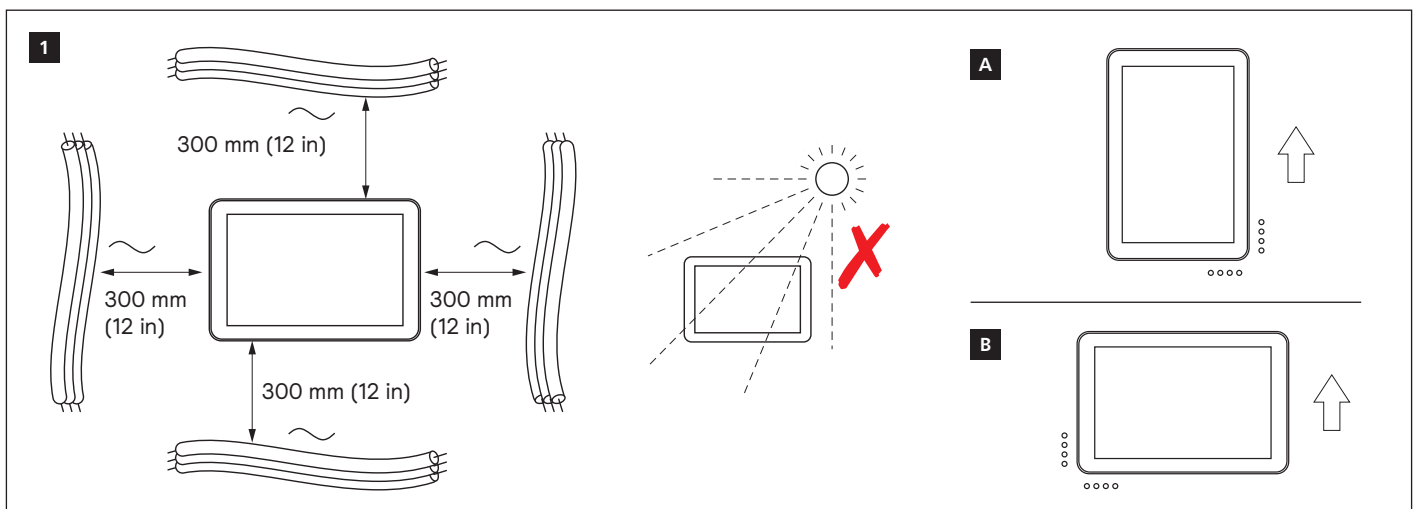
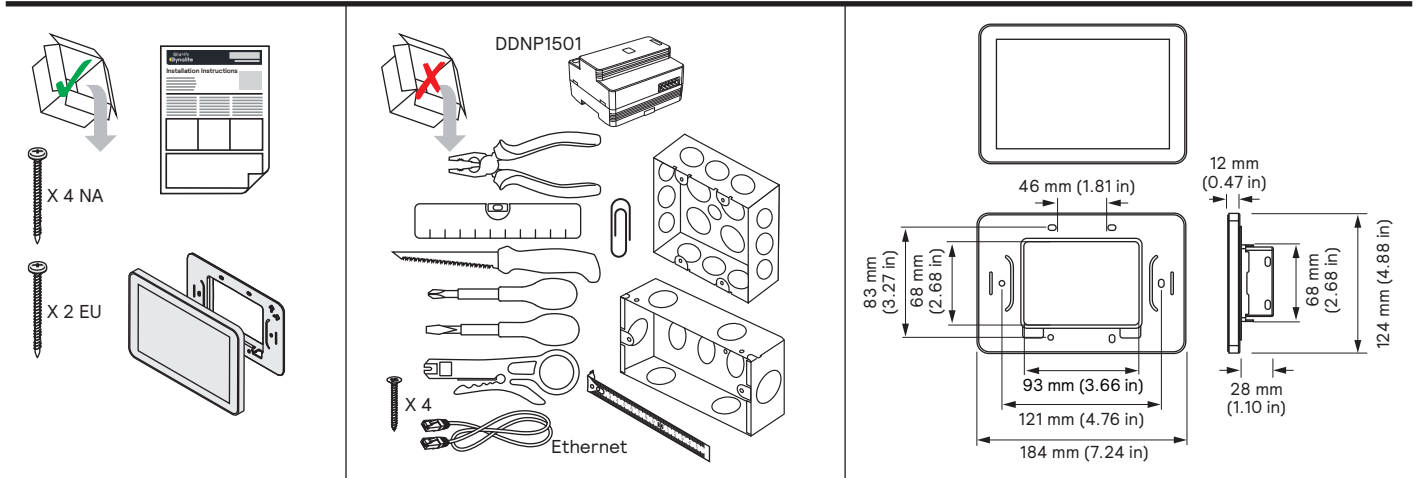
I dispositivi devono essere installati da un elettricista qualificato in conformità con le norme locali e nazionali vigenti in materia di costruzioni edilizie e installazione di impianti elettrici.

De apparaten moeten worden aangebracht door een gekwalificeerde elektricien en in overeenstemming met alle nationale en plaatselijke elektriciteits- en bouwvoorschriften.

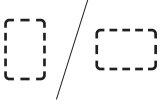
装置を取り付ける際は、資格のある電気技師に依頼し、国および地域の電気および建設に関するすべての法令に従ってください。

根据国家/地区及当地的电气与建筑规范和法规，该设备必须由有资质的电工进行安装。

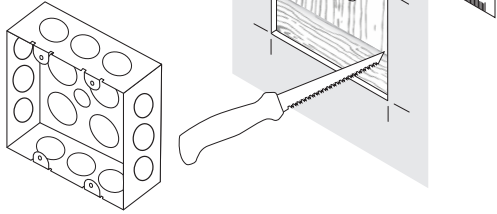
يجب تركيب الأجهزة من قبل فني كهربائي مؤهل وفقاً لكافة قوانين ولوائح التركيب الكهربائي المحلي والوطني.



2 A



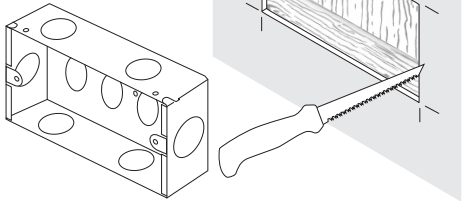
American Style



2 B



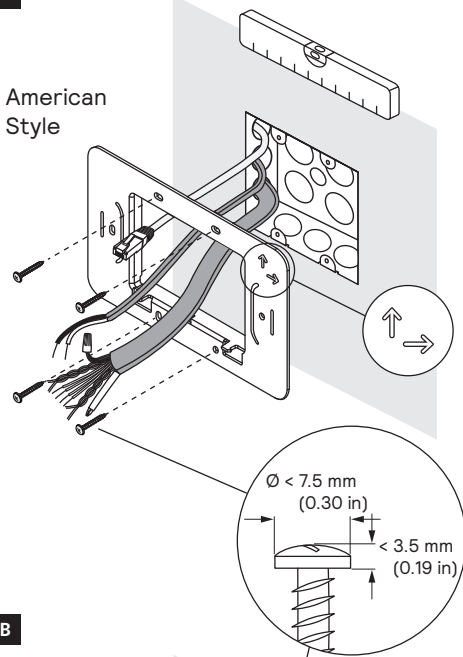
European Style



! IEC Pollution Degree II

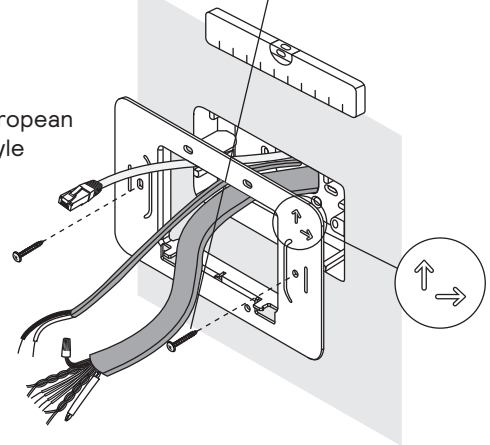
3 A

American Style



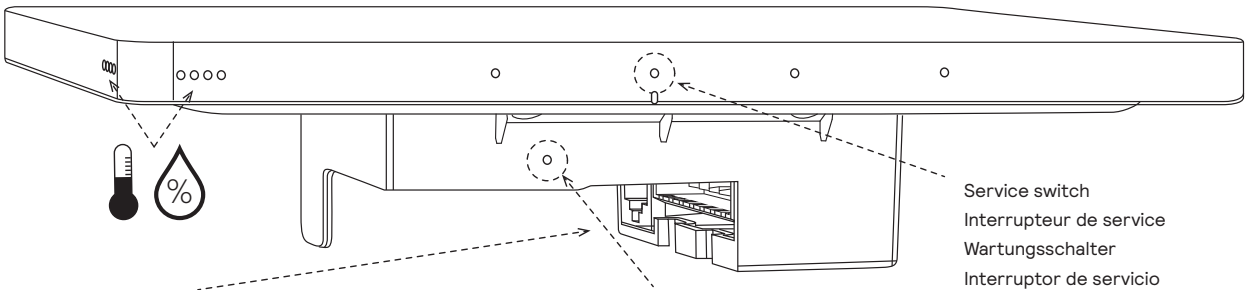
3 B

European Style



! Do not recess mount.

4



Cables enter from left side
 Les câbles entrent par le côté gauche
 Kabeldurchführung von links
 Los cables entran por el lado izquierdo
 Inserire i cavi dal lato sinistro
 Kabelinvoer vanaf de linkerzijde
 電源/データケーブルは左側から入ります
 电源线/数据线从左侧进入

Reset switch
 Interrupteur de réinitialisation
 Reset-Schalter
 Interruptor de reinicio
 Interruttore di reset
 Reset-schakelaar
 リセットスイッチ
 复位开关
 مفتاح إعادة الضبط

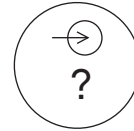
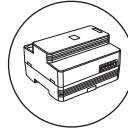
Service switch
 Interrupteur de service
 Wartungsschalter
 Interruptor de servicio
 Interruttore di servizio
 Serviceschakelaar
 サービススイッチ
 服务开关
 زر الخدمات

5

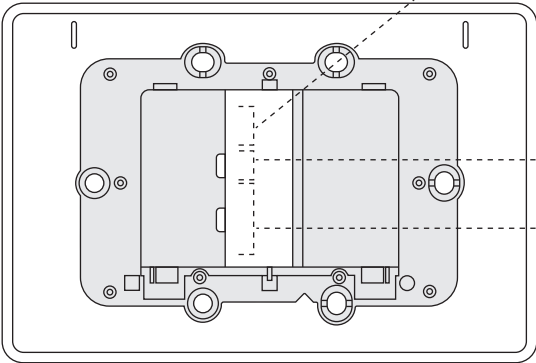
Power Supply

DDNP1501

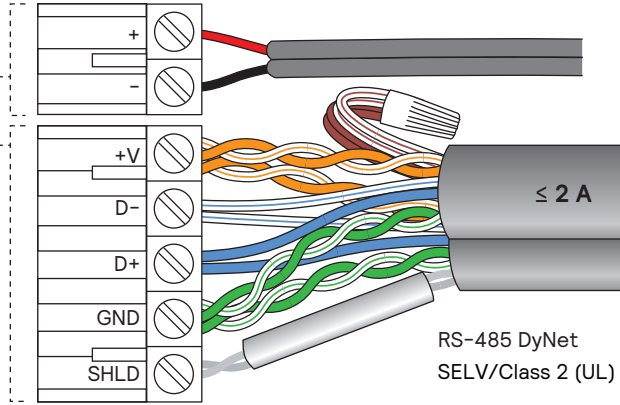
THIRD PARTY



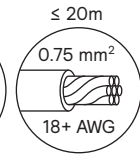
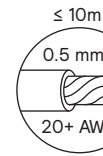
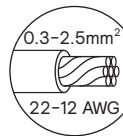
RJ45 (Ethernet)



Required Supply: SELV/Class 2 (UL)
12 V \equiv 500 mA
24 V \equiv 300 mA

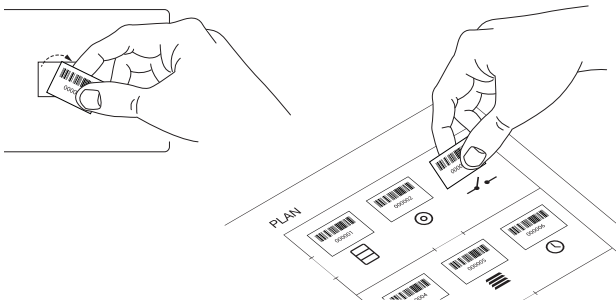


RS-485 DyNet
SELV/Class 2 (UL)

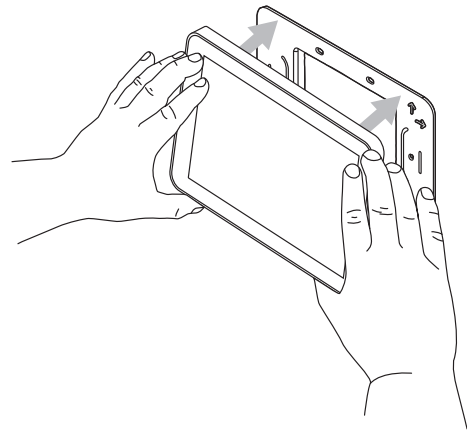


! IEC Overvoltage Category II

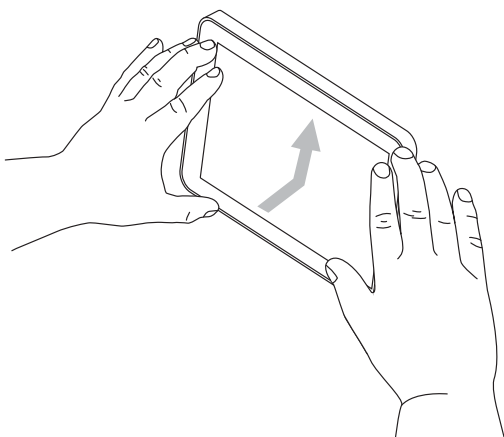
6



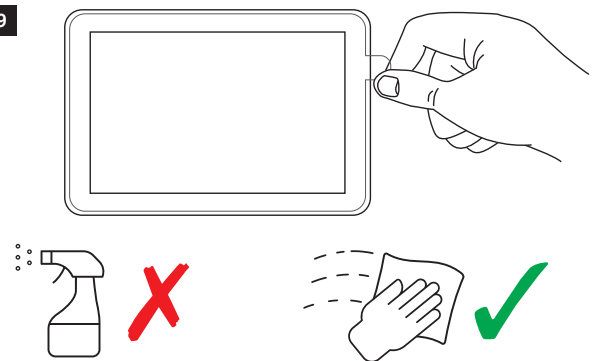
7



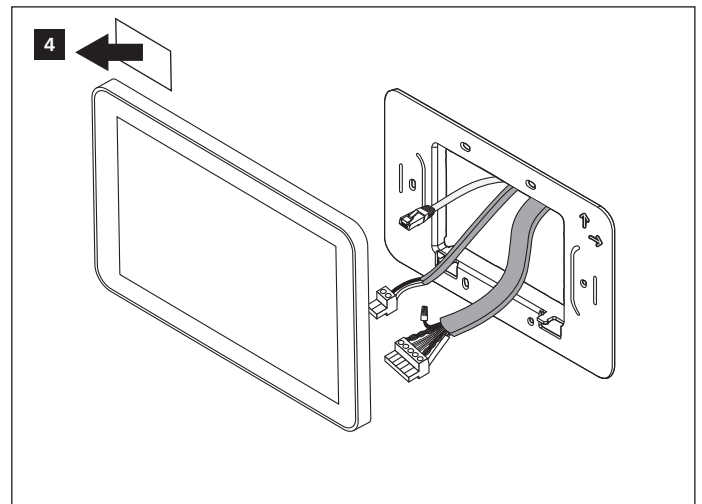
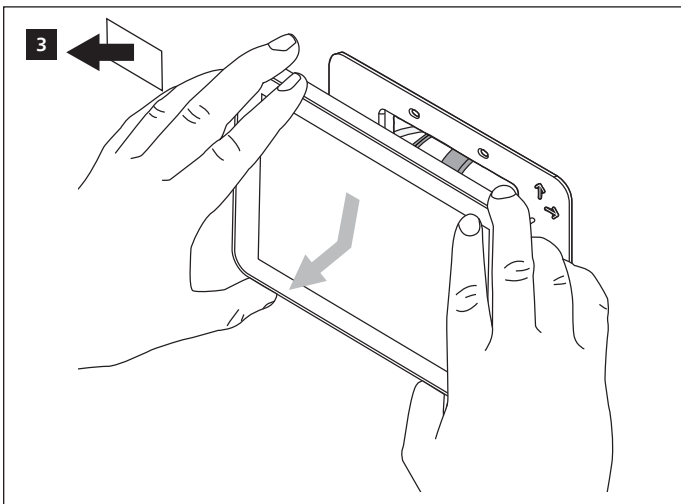
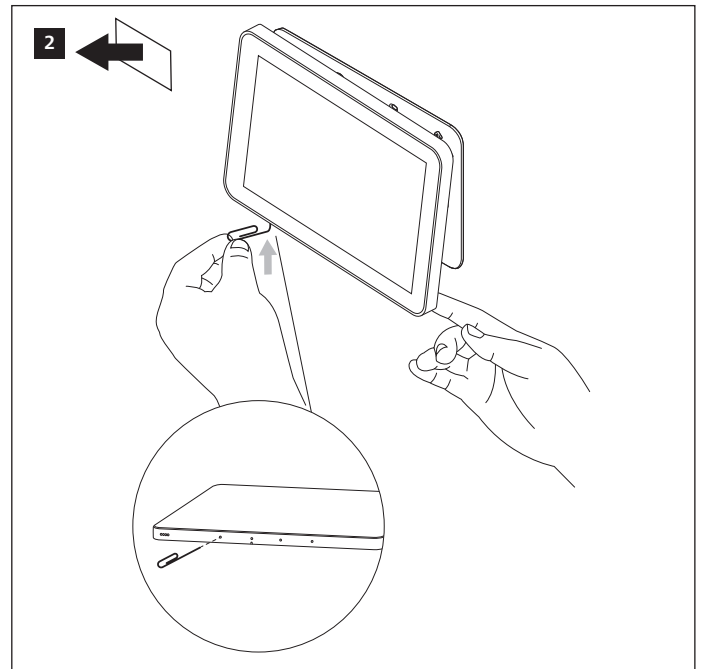
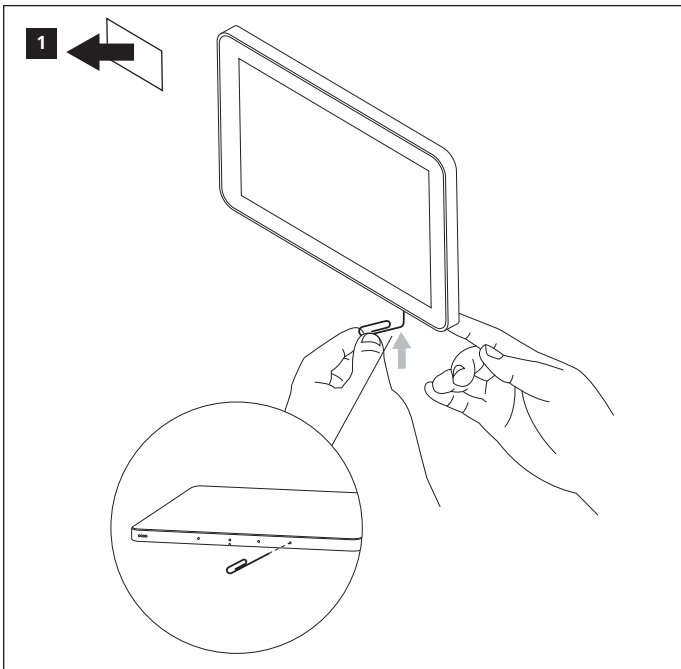
8



9



! Clean only with a clean damp cloth.
! DO NOT use corrosive or harsh cleaning agents



⚠ Do not connect inputs to mains.

⚠ Caution – risk of explosion if battery is replaced by an incorrect type.

⚠ Refer to Service Guide for full cleaning recommendations.

⚠ Attention – risque d'explosion si la pile est remplacée par un Type incorrect.

ⓘ **FCC Radiation Exposure Statement** – This equipment complies with FCC radiation exposure limits set forth for an uncontrolled environment. This equipment must be installed and operated with a minimum distance 20cm between the radiator and your body.

ⓘ **ISED Radiation Exposure Statement** – This equipment complies with ISED radiation exposure limits set forth for an uncontrolled environment. This equipment should be installed and operated with minimum distance 20cm between the radiator and your body. This transmitter must not be co-located or operating in conjunction with any other antenna or transmitter. Cet équipement respecte les limites d'exposition aux rayonnements ionisants fixées pour un environnement non contrôlé. Cet équipement doit être installé et utilisé avec une distance minimale de 20cm entre le radiateur et votre corps. Cet émetteur ne doit pas être localisé ou fonctionner en conjonction avec une autre antenne ou un autre émetteur.

ⓘ **Federal Communications Commission (FCC) Compliance Notice: Radio Frequency Notice** – This equipment has been tested and found to comply with the limits for a Class B digital device, pursuant to part 15 of the FCC Rules. These limits are designed to provide reasonable protection against harmful interference in a residential installation. This equipment generates, uses, and can radiate radio frequency energy and, if not installed and used in accordance with the instructions, may cause harmful interference to radio communications. However, there is no guarantee that interference will not occur in a particular installation. If this equipment does cause harmful interference to radio or television reception, which can be determined by turning the equipment off and on, the user is encouraged to try to correct the interference by one or more of the following measures: Reorient or relocate the receiving antenna. Increase the separation between the equipment and receiver. Connect the equipment into an outlet on a circuit different from that to which the receiver is connected. Consult the dealer or an experienced radio/TV technician for help. Any modifications not approved by the manufacturer of this device could void the user's authority to operate this device.

ⓘ This device complies with part 15 of the FCC Rules and Innovation, Science and Economic Development Canada's licence-exempt RSSs. Operation is subject to the following two conditions: (1) This device may not cause harmful interference, and (2) this device must accept any interference received, including interference that may cause undesired operation. Cet appareil contient des émetteurs/récepteurs exemptés de licence qui sont conformes aux RSS exemptés de licence d'innovation, sciences et développement économique Canada. Le fonctionnement est soumis aux deux conditions suivantes: (1) Cet appareil ne peut pas causer d'interférences. (2) Cet appareil doit accepter toute interférence, y compris les interférences qui peuvent causer un fonctionnement indésirable de l'appareil.

ⓘ This Class B digital apparatus complies with Canadian ICES-003: CAN ICES-300(B)/NMB-300(B). Cet appareil numérique de la Classe B est conforme à la norme NMB-003 du Canada: CAN ICES-003(B)/NMB-003(B).

ⓘ Installation of a home and building automation and control system shall comply with IEC 60364 (all parts). The temperature limits and current-carrying capacities for the communication wires specified in IEC 60364-5-52 shall not be exceeded.