

PDRxE

Revolution EU

signify
Dynalite

Specification Sheet

User Interfaces > Revolution



Contemporary two-, four-, or eight-button panel with backlit buttons

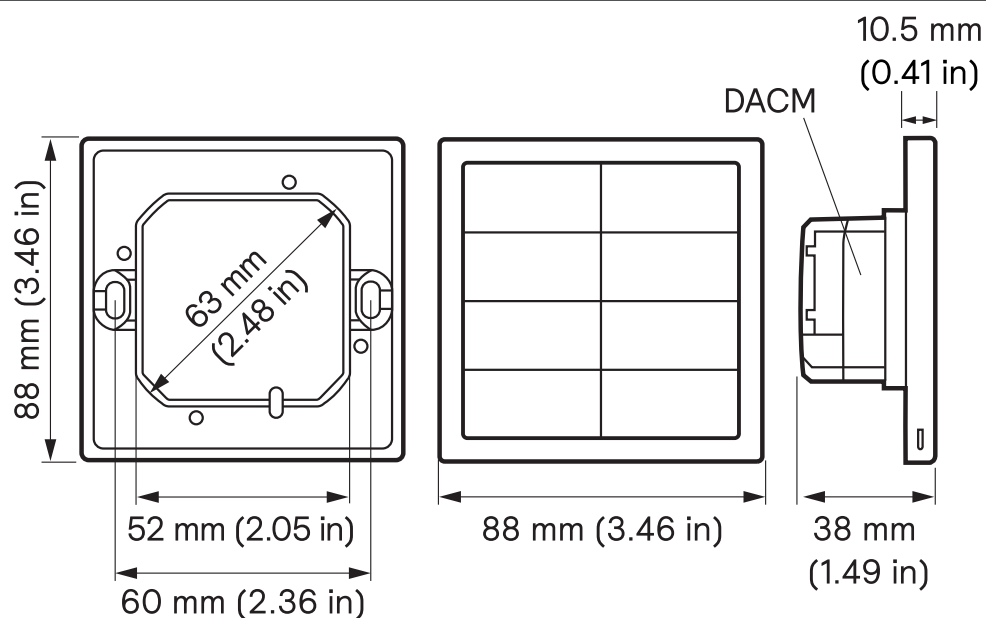
Contemporary two-, four-, or eight-button panel with backlit buttons. The Dynalite Revolution user interface features a sleek, contemporary design and incorporates the latest in field effect technology. Each easy-to-press mechanical button can be customized with text or icons and programmed to perform a wide variety of local and site-wide control functions.

The Revolution EU range is suitable for, but not limited to, European, Middle Eastern, African and Asian markets.

Key Features

- **Field effect proximity detection** - The user interface detects an approaching user and 'wakes up', initiating a wall-wash lighting effect to encourage interaction (mounting plate must be grounded to avoid false triggering from nearby ungrounded metal objects).
- **Colour backlight** - Customise each button's backlight from RGB colour palette.
- **Supplied as two components** - The Application Module contains buttons, rim, base, and mounting plate, which can be mixed and matched to suit décor. The Communication Module contains all of the logical and network functions and is pre-programmed off-site, allowing commissioning to commence prior to finish options being finalised.
- **Multiple language and icon labelling** - Button labelling language choices include English, Chinese, and Arabic. A library of common icons transcends language barriers, which is particularly useful in hospitality applications.
- **Custom button engraving** - Available on request.
- **Décor-matching options** - Buttons and rims are available in a range of attractive glass-look polycarbonate finishes.
- **64-channel DMX Tx support** - Can be factory-set to DMX instead of DyNet, to communicate directly with DMX512 fixtures.

Dimensions



Revolution EU Models



PDR8E - Eight buttons



PDR4E - Four buttons



PDR2E - Two buttons

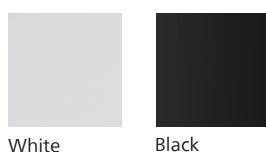
Specifications

Electrical	
Supply Type	DyNet
Supply Voltage	12–24 VDC SELV/Class 2
Supply Current	60 / 120 mA (nominal / max) @ 12 VDC 35 / 60 mA (nominal / max) @ 24 VDC
IEC Overvoltage Category	III

Application Module	
User Controls	2/4/8 x software-configurable buttons
Indicators	Colour backlight on each button
Temperature Sensor Range	5° to 40°C (41° to 104°F)
Temperature Sensor Accuracy	± 1°C (± 1.8°F)
Field Effect Detection Range	approx. 4 cm (1.6 in)

Communication Module	
Serial Ports	1 x RS-485
Supported Protocols	DyNet DMX Tx
DMX Tx Channels	64
User Controls	1 x service switch
Indicators	1 x service LED

Available Finishes



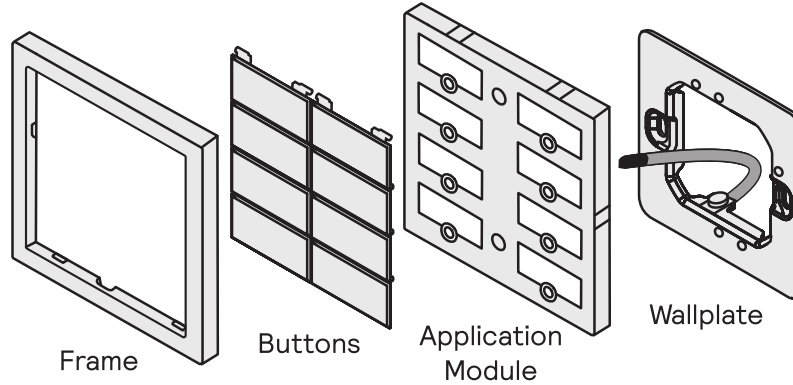
Physical	
Dimensions	88 x 88 x 38 mm (3.46 x 3.46 x 1.5 in) (Fully assembled)
Packed Weight	Application module: 0.2 kg (0.44 lb) Communication module: 0.12 kg (0.25 lb)
Serial Ports	1 x 5-way pluggable screw terminal
Serial Port Conductor Size	0.3–2.5 mm ² (#22–12 AWG)

Environment	
Operating Temperature	0° to 50°C ambient (32° to 122°F)
Storage/Transport Temperature	-25° to 70°C ambient (-13° to 158°F)
Relative Humidity	≤90% non-condensing
IEC Pollution Degree	II
Installation Note	Indoor installation only

Compliance	
Certifications	CE, RCM, FCC, ISED, UKCA, RoHS
IP Rating	IP40



Revolution EU Assembly



Ordering Codes

Application Module Ordering Codes

The Application Module contains the mounting plate, base, frame, and buttons. The buttons and frame assembly are available in the range of finishes shown below.

The base contains all the sensors and LED indicators. A metal mounting plate attaches the Revolution panel securely to the wall, ensuring stable, reliable operation.

PDR8xxE-BBB-S

2 = Two-button
4 = Four-button
8 = Eight-button

B = Black
W = White

BB = Black
WW = White

S = Standard labelling
L = Custom labelling

Communication Module

The Dynalite Application Communication Module (DACM v3 or later) is compatible with all interfaces across the Revolution series, and can be ordered, programmed, installed, wired and tested without the Application Module attached.

This allows the commissioning process to begin before the final finish options have been chosen, or during construction, and protects the Application Module from damage until the site is ready for occupancy.



Product		12NC
D-DACM-DyNet	DyNet communication module	913703072809

Accessory		12NC
D-DACM-DINGUS-RJ12-QTY10	Dual RJ12 connector with earth wire - pack of 10	913703255209
D-DACM-DINGUS-RJ45-QTY10	Dual RJ45 connector with earth wire - pack of 10	913703254809