

PAXBLE

Antumbra Lite EU

signify
Dynalite

Specification Sheet

User Interfaces > Antumbra



Two-, four-, or six-button panel with dry contact switches

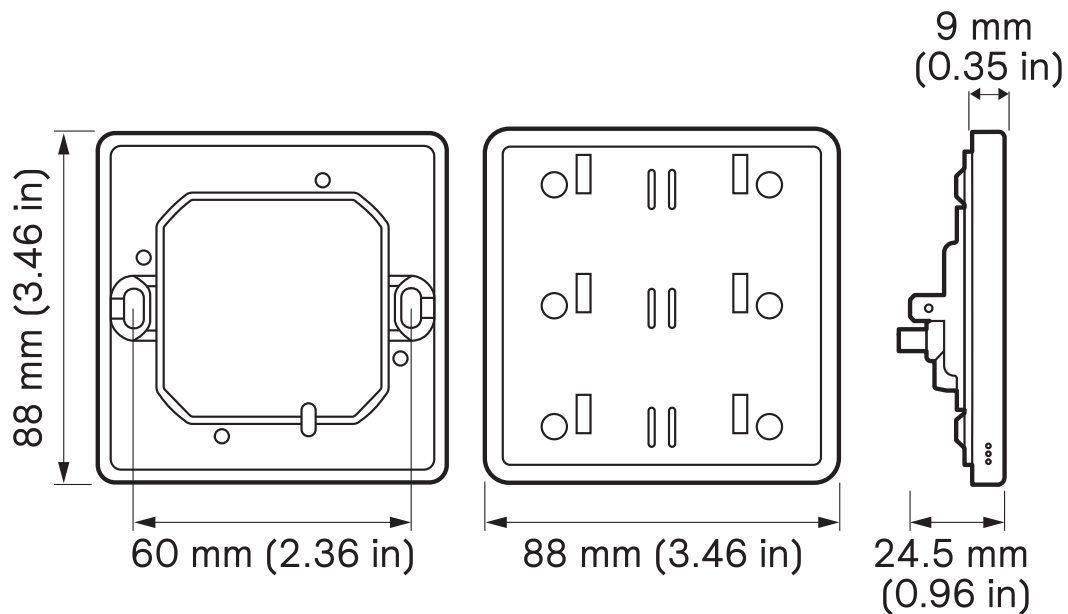
AntumbraLite is a cost-effective user interface with a sleek, contemporary design, intended for use with any Dynalite load controller featuring dry contact inputs.

Available in the full range of Antumbra button and rim finishes, Antumbra Lite also supports customised button labelling with text or icons to suit any application.

Key Features

- **Multiple language and icon labelling** - Button labelling language choices include English, Chinese, and Arabic. A library of common icons transcends language barriers, which is particularly useful in hospitality applications.
- **Décor-matching options** - Buttons and rims are available in a range of attractive polycarbonate and metallic finishes.

Dimensions



Antumbra Lite EU Models



PA6BLE - Six buttons



PA4BLE - Four buttons



PA2BLE - Two buttons

Specifications

Electrical	
Dry Contact Switch Rating	≤24 VDC @ 10 mA per switch (SELV)
IEC Overvoltage Category	II
Notes	Suitable for SELV dry contact inputs only. NOT suitable for use with DLLI5I-DALI.

Application Module	
User Controls	6 x dry contact switches

Physical	
Dimensions	88 x 88 x 24.5 mm (3.46 x 3.46 x 0.96 in) (Fully assembled)
Packed Weight	0.16 kg (0.33 lb)
Dry Contact Terminals	1 x 7-way spring terminal
Dry Contact Terminal Conductor Size	0.5-1.5 mm ² (#20-16 AWG) (solid copper recommended)

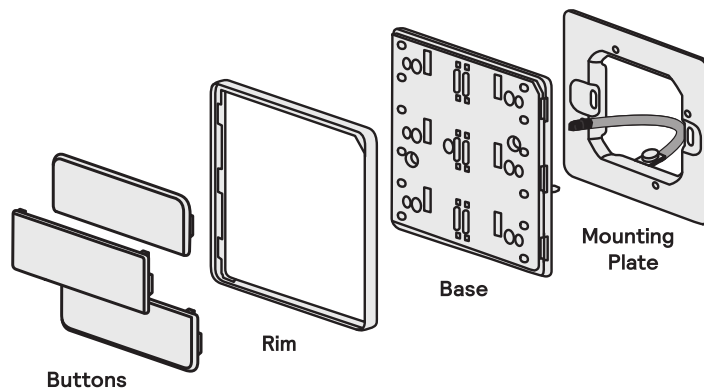
Environment	
Operating Temperature	-5° to 50°C ambient (23° to 122°F)
Storage/Transport Temperature	-25° to 60°C ambient (-13° to 140°F)
Relative Humidity	≤90% non-condensing
IEC Pollution Degree	II
Installation Note	Indoor installation only

Compliance	
Certifications	CE, RCM, UKCA
Sustainability	RoHS
IP Rating	IP3X

Available Finishes



Antumbra Lite EU Assembly



Ordering Codes

Application Module Ordering Codes

PA6BLE-SM-X

2 = Two-button

4 = Four-button

6 = Six-button

Lacquer (Polycarbonate)

M = Magnesium

S = Silver

W = White

Luxe (Metallic)

A = Aluminium

G = Gold

J = Jet

N = Noir

P = Prestige

V = Vintage

A = Aluminium

C = Chrome

M = Magnesium

W = White

L = Labelling

X = No Labelling