

DUS90WHB-D

Multifunction Sensor

Wide-angle high bay DALI network sensor

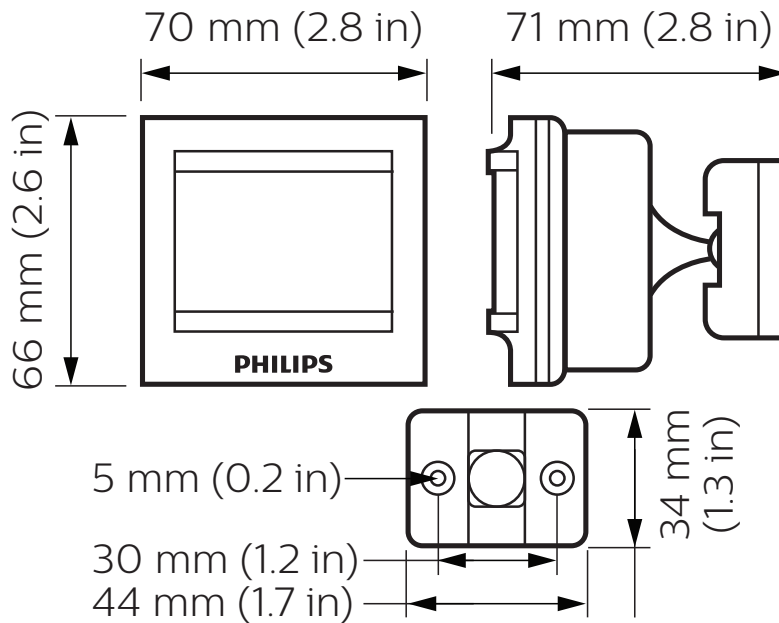
The Philips Dynalite DUS90WHB-D is a 90 degree multifunction sensor that combines motion detection (PIR) and ambient light level detection (PE) in one device. The sensor uses the DALI protocol for power and communications to a network control system, eliminating the need for additional network field wiring. This is a wide angle, general purpose sensor.

DUS90WHB-D

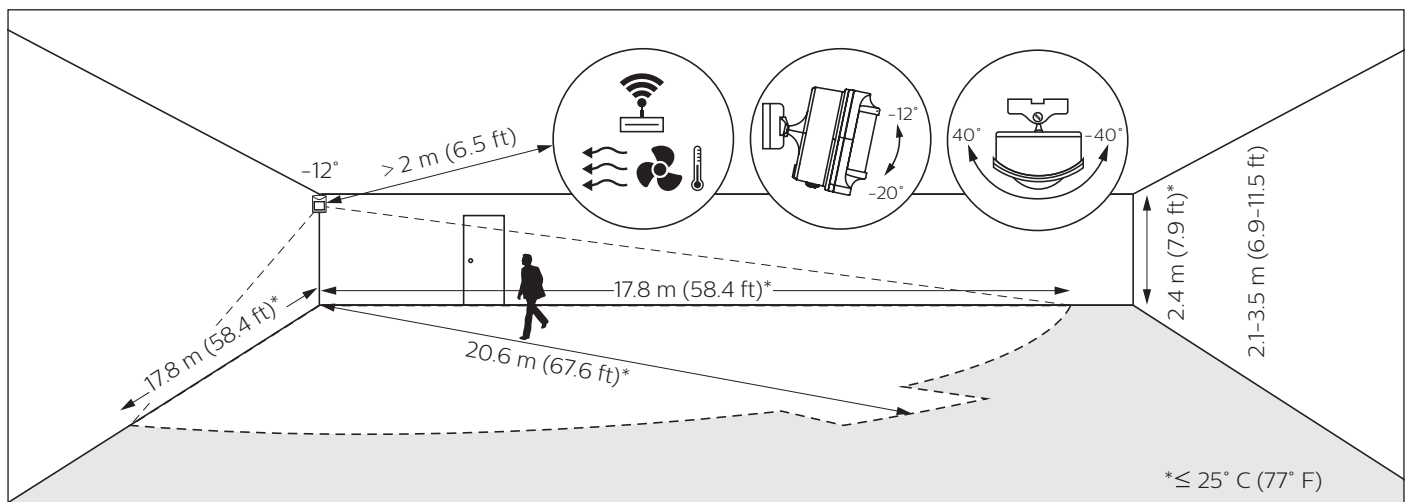
Wide-angle high bay DALI network sensor

- **DALI device** – Designed to operate seamlessly with the Philips Dynalite DDBC120-DALI or DDBC320-DALI controller.
- **Powered directly by the DALI network** – Eliminates the need for additional network field wiring.
- **Motion detection feature** – Detects the presence or absence of motion and triggers a programmed action.
- **Ambient light level detection** – In applications where it is critical to maintain precise lighting levels, the PE function reads ambient levels and adjusts artificial light accordingly.
- **Daylight harvesting** – When used in conjunction with networked open loop daylight sensor.
- **Infrared receive capability** – Enables sign-in identification to the networked system.
- **Corridor hold** – Links corridor areas with adjacent rooms so corridor remains lit while occupancy is detected in adjacent rooms.
- **Targeted positioning** – Directional wallmounting block allows sensors to be easily mounted and directed to the required area.

Dimensions



Detection Area



Specifications

Due to continuous improvements and innovations, specifications may change without notice.



DUS90WHB-D
Multifunction Sensor

Electrical

Supply Type	DALI / ELV
Supply Voltage	9.5-22.5 VDC
Supply Current	9 mA
DALI Insulation	Basic
IEC Overvoltage Category	III

Motion Detection (PIR)

Sensor	Dual element pyroelectric
Maximum Detection Range	18 m (59 ft)*
Scan Beam Angle	90°
Detection Area	See next page

Light Detection (PE)

Lux Range	5-10,000 lux
-----------	--------------

Control

Serial Ports	1 x DALI
User Input	Infrared (RC5 IR remote control) 1 x service switch
Indicators	1 x red motion LED

* Typical detection range at $\leq 25^{\circ}\text{C}$ (77°F). Range is reduced at higher temperatures.

** Fly lead included.

Physical

Dimensions (H x W x D)	66 x 70 x 71 mm (2.60 x 2.76 x 2.80 in)
Packed Weight	0.116 kg (0.26 lb)
Construction	Polycarbonate plastic enclosure
Color	White (RAL9010)
Serial Ports	1 x 2-way screw terminal
Screw Terminal Conductor Size**	0.75 mm ² (#18 AWG) (max)

Environment

Operating Temperature	-5° to 50°C ambient (23° to 122°F)
Storage/Transport Temperature	-25° to 70°C ambient (-13° to 158°F)
Humidity	0 to 90% non-condensing
IEC Pollution Degree	II

Compliance

Certification	CE, RCM, UKCA, RoHS
IP Rating	IP40 (When installed as per manufacturer instructions)



Ordering Code

Product

DUS90WHB-D

Philips 12NC

913703015509

Accessories

IRT9090/01 (commissioning & testing RC5 IR remote control)

Philips 12NC

913700359103

© 2025 Signify Holding.

All rights reserved. Specifications are subject to change without notice. No representation or warranty as to the accuracy or completeness of the information included herein is given and any liability for any action in reliance thereon is disclaimed. Philips and the Philips Shield Emblem are registered trademarks of Koninklijke Philips N.V. All other trademarks are owned by Signify Holding or their respective owners.



www.dynalite.com

Revision 10 – 2025-04-15