

DUS804CS-UP

Multifunction Sensor



Specification Sheet

Sensors > Low Bay



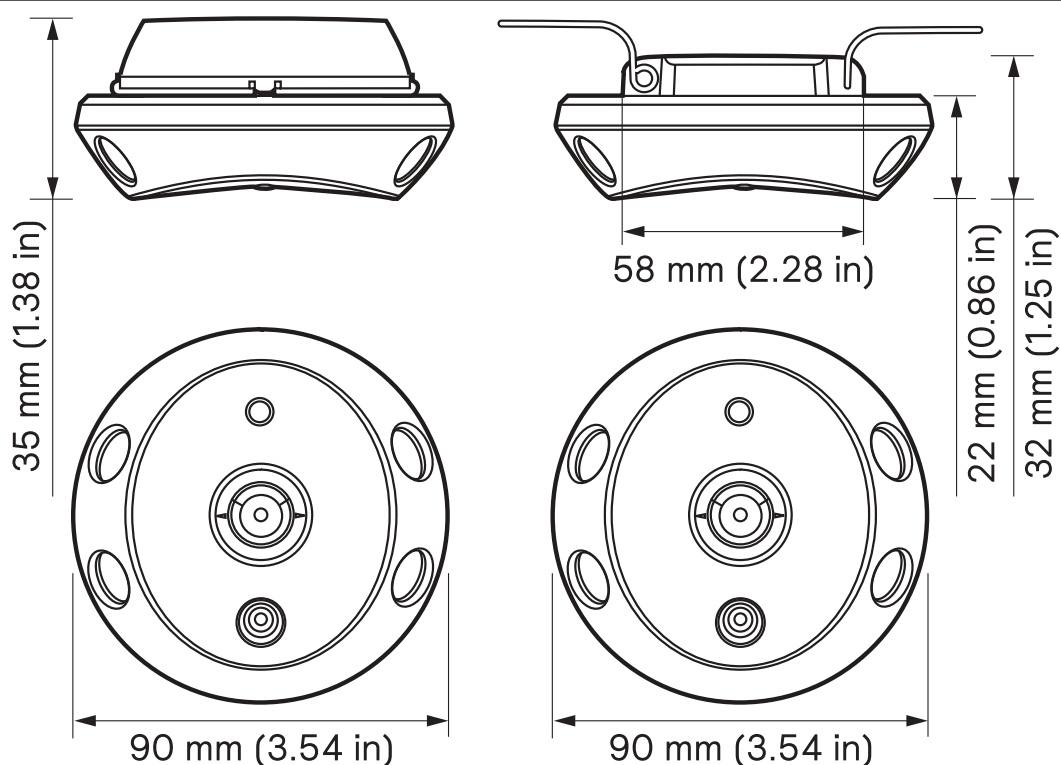
Surface mount ceiling sensor with ultrasonic capability

Dynalite DUS804CS-UP is a surface-mountable 360° multifunction sensor that combines ultrasonic (UP), motion detection (PIR), infrared remote control reception (IR), and ambient light level detection (PE) into one device for applications such as offices, industrial buildings, and secure areas of public buildings.

Key Features

- **Motion detection feature** - Detection of motion within scanned area triggers a programmed lighting action. Ultrasonic technology enables motion detection behind fixed objects.
- **Segmented click-up bezel** - Surrounds the PIR motion sensor element and enables a portion of the sensing field to be masked. This prevents nuisance detection from adjacent doorways or corridors.
- **Ambient light level regulation** - In applications where precise, even lighting is critical, the PE function measures ambient levels and adjusts artificial light accordingly.
- **Infrared receive capability** - Inbuilt IR sensor lets you manually adjust light levels using a compatible hand-held NEC IR remote.
- **Daylight harvesting mode** - Delivers automatic energy savings.
- **Corridor hold** - Links corridor areas with adjacent rooms so corridor remains lit while occupancy is detected in adjacent rooms.

Dimensions



Specifications

Electrical	
Supply Type	DyNet
Supply Voltage	12-15 VDC
The sensor must receive at least 12VDC from the DyNet network. If necessary, add additional DDNP1501 network power supplies to ensure adequate network voltage at all times.	
Supply Current	80 mA
IEC Overvoltage Category	II

Motion Detection (PIR)	
Sensor	Quad element pyroelectric
RFI Immunity	>15 V/m @ 10-1000 MHz
Max Detection Range	5 m (16.4 ft) Typical range at ≤25°C (77°F) Range reduced at higher temperatures

Motion Detection (Ultrasonic)	
Sensor	2
Operating Frequency	32 KHz

Light Detection (PE)	
Lux Range	5-5,000 lux

Control	
Communication Ports	1 x RS-485
Supported Protocols	DyNet
User Controls	Infrared (NEC IR remote control) 1 x service switch
Indicators	1 x RGB LED
Red: PIR motion detection Green: Ultrasonic motion detection Blue: Insufficient network voltage	

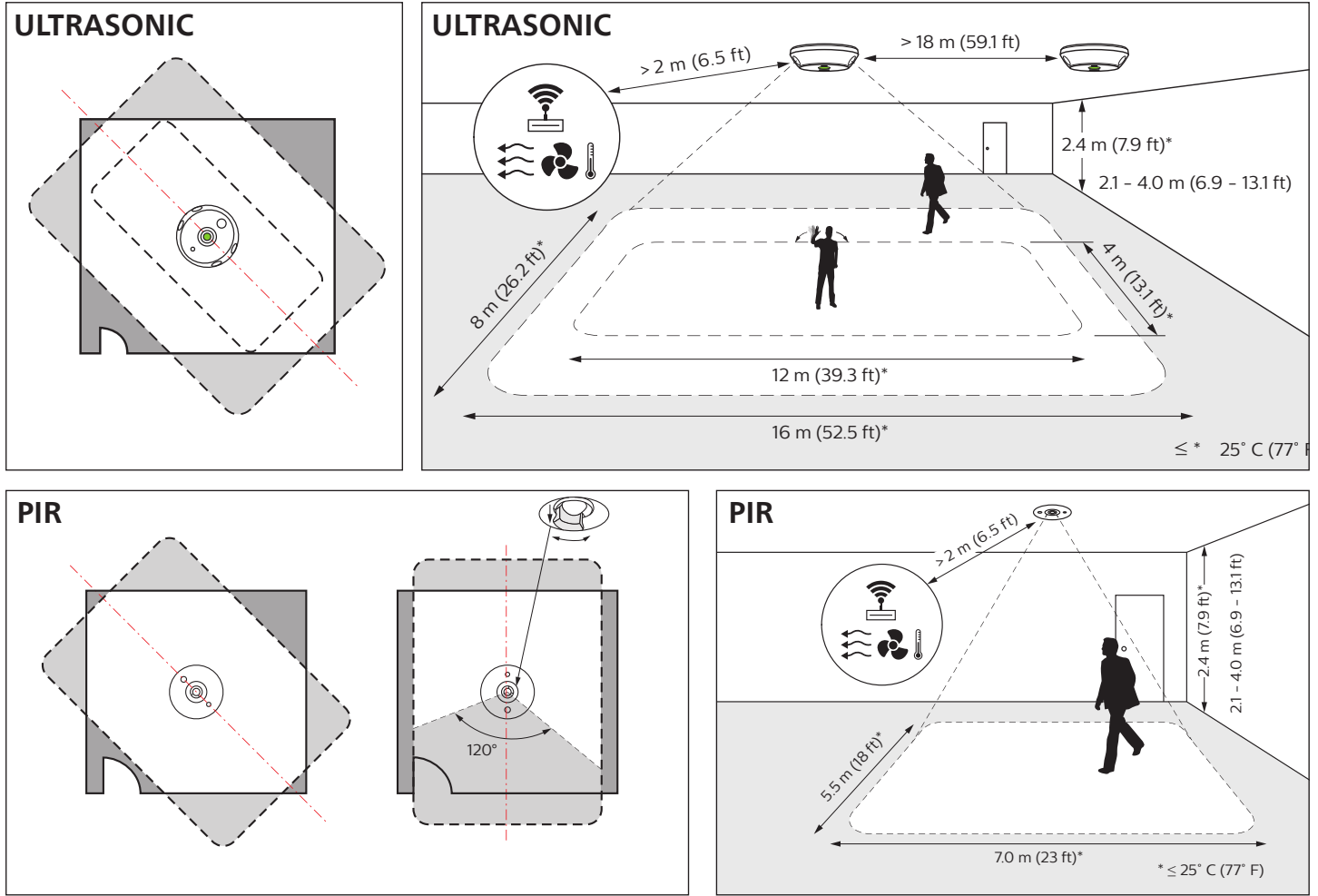
Physical	
Dimensions	32 x 90 mm (1.26 x 3.54 in)
Packed Weight	0.25 kg (0.55 lb)
Construction	Polycarbonate enclosure
Colour	Off-white
Serial Ports	1 x 5-way screw terminal
Serial Port Conductor Size	0.3-2.5 mm ² (#22-12 AWG)
Mounting Substrate Thickness	3-25 mm (0.12-0.98 in)

Environment	
Minimum Distance Between Sensors	18 m (59.1 ft)
Operating Temperature	0° to 50°C ambient (32° to 122°F)
Storage/Transport Temperature	-25° to 70°C ambient (-13° to 158°F)
Relative Humidity	≤90% non-condensing
IEC Pollution Degree	II
Installation Note	For indoor installation only

Compliance	
Certifications	CE, RCM, UL/cUL, UKCA
Sustainability	RoHS



Detection Area



Ordering Codes

Product	12NC
DUS804CS-UP	913703070409

Accessory	12NC
D-DUS-DINGUS-RJ12-QTY10	Dual RJ12 connector (pack of 10) 913703254409
D-DUS-DINGUS-RJ45-QTY10	Dual RJ45 connector (pack of 10) 913703254609