

# DUS360CS

Multifunction Sensor



## Specification Sheet

Sensors > Low Bay



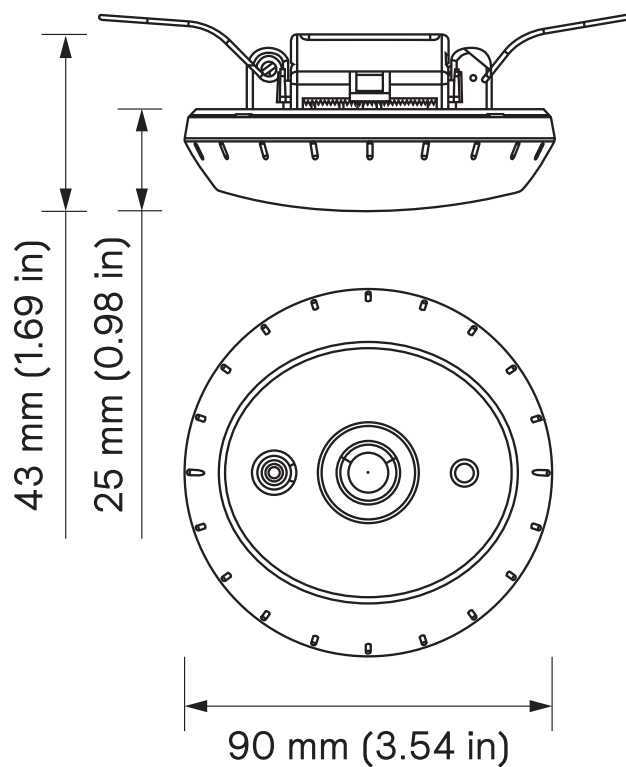
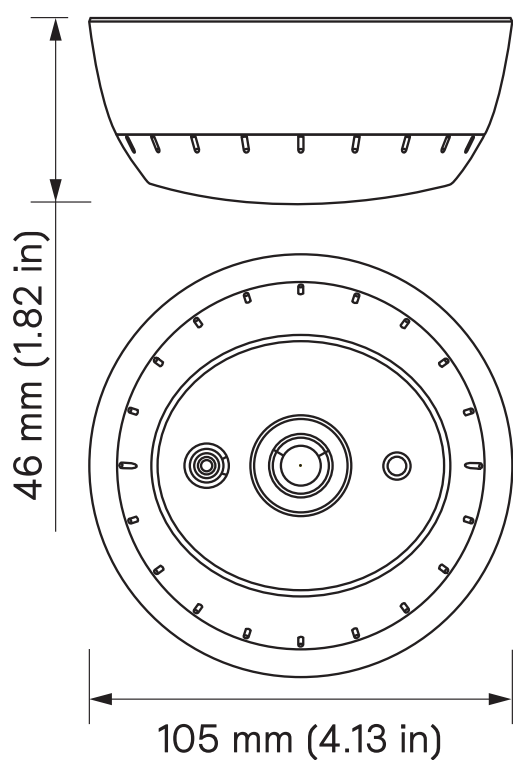
### Surface mount 360° ceiling sensor

The Dynalite DUS360CS is a surface-mountable 360° multifunction sensor that combines motion detection (PIR), infrared remote control reception (IR), and ambient light level detection (PE) into one device for applications such as hospitality, dining, and residential.

## Key Features

- **Motion detection feature** - Detects the presence or absence of motion and adjusts lights accordingly.
- **Segmented click-up bezel** - Surrounds the motion sensor element and enables a portion of the sensing field to be masked. This prevents nuisance detection from adjacent doorways or corridors.
- **Ambient light level regulation** - In applications where precise, even lighting is critical, the PE function measures ambient levels and adjusts artificial light accordingly.
- **Infrared receive capability** - Inbuilt IR sensor lets you manually adjust light levels using a compatible hand-held RC5 IR remote.
- **Daylight harvesting mode** - Delivers automatic energy savings.
- **Corridor hold** - Links corridor areas with adjacent rooms so corridor remains lit while occupancy is detected in adjacent rooms.

## Dimensions



## Specifications

Electrical	
Supply Type	DyNet
Supply Voltage	12/24 VDC
Supply Current	10 mA max
IEC Overvoltage Category	II

Motion Detection (PIR)	
Sensor	Quad element pyroelectric
Max Detection Range	5 m (16.4 ft) Typical range at ≤25°C (77°F) Range reduced at higher temperatures

Light Detection (PE)	
Lux Range	5-5,000 lux

Control	
Communication Ports	1 x RS-485
Supported Protocols	DyNet
User Controls	Infrared (RC5 IR remote control) 1 x service switch
Indicators	1 x motion LED (red)

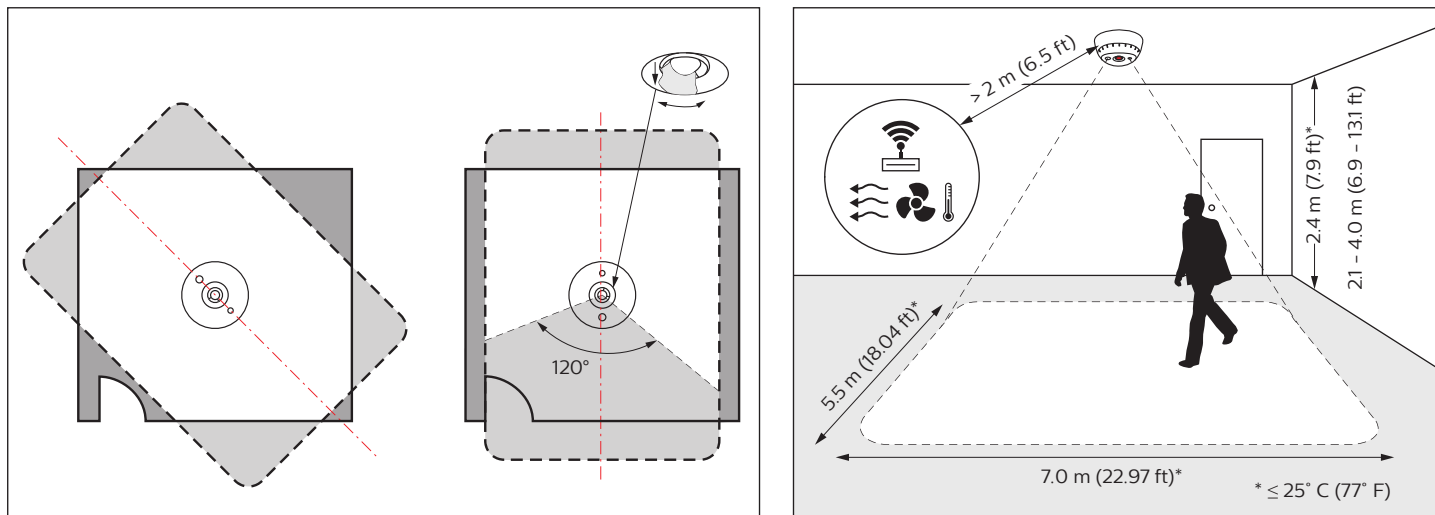
Physical	
Dimensions	46 x 105 mm (1.82 x 4.13 in)
Packed Weight	0.166 kg (0.37 lb)
Construction	Polycarbonate enclosure
Colour	RAL9010 (White) RAL9005 (Black)
Serial Ports	1 x 5-way pluggable screw terminal
Serial Port Conductor Size	0.3-2.5 mm <sup>2</sup> (#22-12 AWG)
Mounting Substrate Thickness	3-25 mm (0.12-0.98 in)

Environment	
Operating Temperature	0° to 45°C ambient (32° to 113°F)
Storage/Transport Temperature	-25° to 70°C ambient (-13° to 158°F)
Relative Humidity	≤90% non-condensing
IEC Pollution Degree	II
Installation Note	For indoor installation only

Compliance	
Certifications	CE, RCM, UL/cUL, FCC, ISED, UKCA
Sustainability	RoHS
IP Rating	IP20



## Detection Area



## Ordering Codes

Product		12NC
DUS360CS	RAL9010 (White)	913703243109
DUS360CS-RAL9005	RAL9005 (Black)	913703351809

Accessory		12NC
D-DUS-DINGUS-RJ12-QTY10	Dual RJ12 connector (pack of 10)	913703254409
D-DUS-DINGUS-RJ45-QTY10	Dual RJ45 connector (pack of 10)	913703254609
IRT9090/01	Commissioning & testing RC5 IR remote control	913700359103