



DUS360CS

Multifunction Sensor

Surface mount 360° ceiling sensor

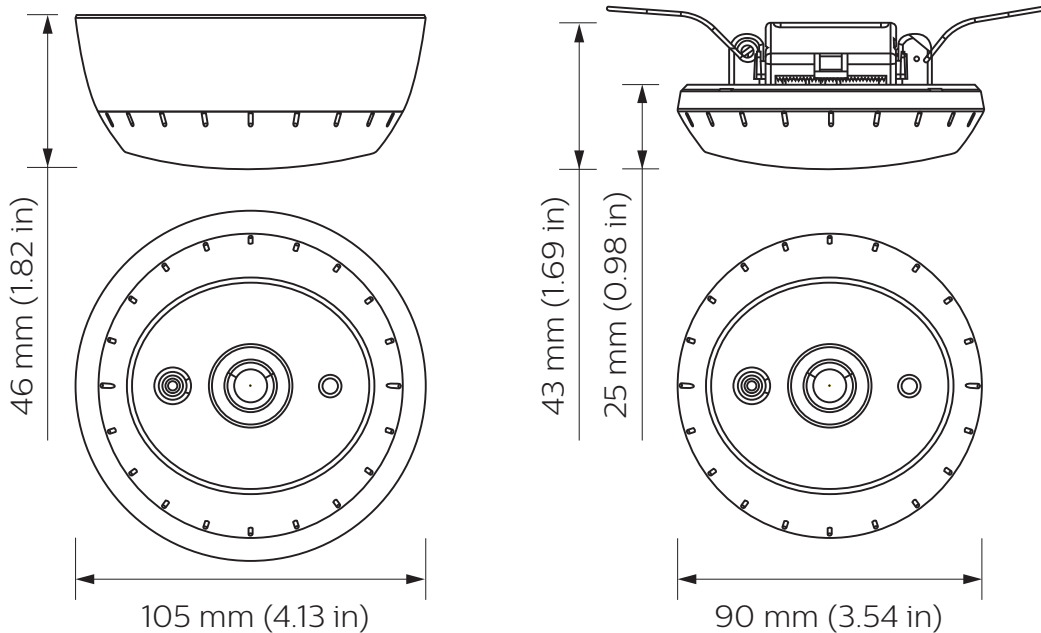
The Philips Dynalite DUS360CS is a surface mountable 360 degree multifunction sensor that combines motion detection (PIR), infrared remote control reception (IR) and ambient light level detection (PE) into one device in applications such as hotels, restaurants and homes.

DUS360CS

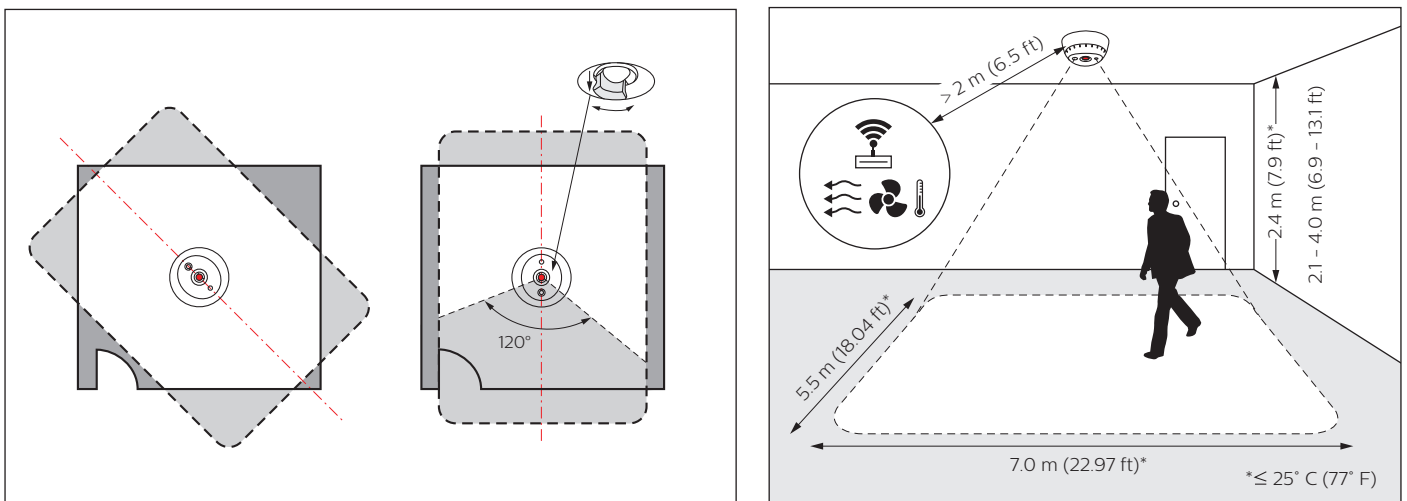
Surface mount 360° ceiling sensor

- **Motion detection feature** – Detects the presence or absence of motion and adjusts lights accordingly.
- **Segmented click-up bezel** – Surrounds the motion sensor element and enables a portion of the sensing field to be masked. This prevents nuisance detection from adjacent doorways or corridors.
- **Ambient light level regulation** – In applications where it is critical to maintain precise light levels, the PE function reads ambient levels and adjusts artificial light accordingly.
- **Multiple mounting options** – Can be partially recessed or surface-mounted using the supplied butterfly clips or junction box.
- **Infrared receive capability** – Manually adjust light levels using a hand-held remote control, via the inbuilt IR receiver.
- **Daylight harvesting mode** – Delivers automatic energy savings.
- **Corridor hold** – Links corridor areas with adjacent rooms so corridor remains lit while occupancy is detected in adjacent rooms.

Dimensions



Detection Area



Specifications

Due to continuous improvements and innovations, specifications may change without notice.



DUS360CS
Multifunction Sensor

Electrical

Supply Type	DyNet
Supply Voltage	12/24 VDC
Supply Current	10 mA (max)
IEC Overvoltage Category	III

Motion Detection (PIR)

Sensor	Quad element pyroelectric
Maximum Detection Range	5 m (16.4 ft)*
Detection Area	See next page

Light Detection (PE)

Lux Range	5-5000 lux
-----------	------------

Control

Serial Ports	1 x RS-485
Supported Protocols	DyNet
User Input	Infrared (RC5 IR remote control) 1 x service switch
Indicators	1 x red motion LED

* Typical detection range at $\leq 25^{\circ}\text{C}$ (77°F). Range is reduced at higher temperatures.

Physical

Dimensions (H x W)	46 x 105 mm (1.82 x 4.13 in)
Packed Weight	0.166 kg (0.37 lb)
Construction	Polycarbonate plastic enclosure
Color	RAL9010 (White) RAL9005 (Black)
Serial Ports	1 x 5-way pluggable screw terminal
Screw Terminal Conductor Size	2.5 mm ² (#12 AWG) (max)
Mounting Substrate Thickness	3-25 mm (0.12-0.98 in)

Environment**

Operating Temperature	0° to 45°C ambient (32° to 113°F)
Storage/Transport Temperature	-25° to 70°C ambient (-13° to 158°F)
Humidity	0 to 90% non-condensing
IEC Pollution Degree	II

Compliance

Certification	CE, RCM, UL/cUL, FCC, ICES, UKCA, RoHS
IP Rating	IP20

** For Indoor Installation Only



Ordering Code

Product

DUS360CS	Philips 12NC 913703243109
DUS360CS-RAL9005 (Black)	913703351809

Accessories

DINGUS-DUS-RJ12-DUAL (dual RJ12 connector - pack of 10)	Philips 12NC 913703064309
DINGUS-DUS-RJ45-DUAL (dual RJ45 connector - pack of 10)	913703064409
IRT9090/01 (commissioning & testing RC5 IR remote control)	913700359103

© 2024 Signify Holding.

All rights reserved. Specifications are subject to change without notice. No representation or warranty as to the accuracy or completeness of the information included herein is given and any liability for any action in reliance thereon is disclaimed. Philips and the Philips Shield Emblem are registered trademarks of Koninklijke Philips N.V. All other trademarks are owned by Signify Holding or their respective owners.



www.dynalite.com

Revision 11 – 2024-01-17