

DUS360CR

Multifunction Sensor



Specification Sheet

Sensors > Low Bay



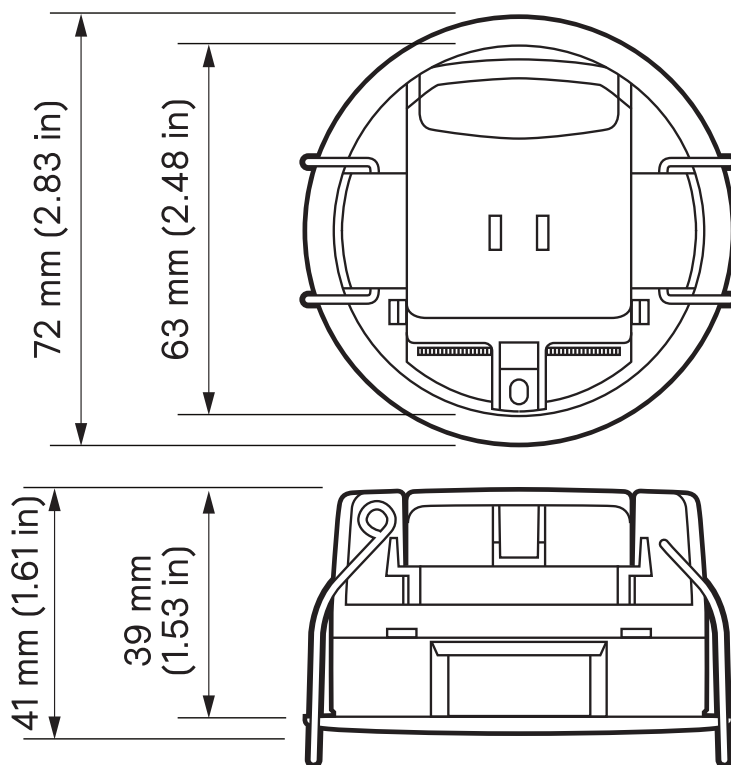
Low-profile recessed 360° ceiling sensor

The Dynalite DUS360CS is a recess mountable 360° multifunction sensor that combines motion detection (PIR), infrared remote control reception (IR), and ambient light level detection (PE) into one device for applications such as offices, lecture theaters, and residential.

Key Features

- **Motion detection feature** - Detects the presence or absence of motion and adjusts lights accordingly.
- **Segmented click-up bezel** - Surrounds the motion sensor element and enables a portion of the sensing field to be masked. This prevents nuisance detection from adjacent doorways or corridors.
- **Ambient light level regulation** - In applications where precise, even lighting is critical, the PE function measures ambient levels and adjusts artificial light accordingly.
- **Infrared receive capability** - Inbuilt IR sensor lets you manually adjust light levels using a compatible hand-held RC5 IR remote.
- **Daylight harvesting mode** - Delivers automatic energy savings.
- **Corridor hold** - Links corridor areas with adjacent rooms so corridor remains lit while occupancy is detected in adjacent rooms.
- **Anti-stumble sensing option** - Helps users move about safely at night without having to find a light switch (requires DUS180WR faceplate).
- **Suitable for plenum use** - UL 2043 certified for installation in air-handling plenum spaces.

Dimensions



Specifications

Electrical	
Supply Type	DyNet
Supply Voltage	12/24 VDC
Supply Current	10 mA (max)
IEC Overvoltage Category	II

Motion Detection (PIR)	
Sensor	Quad element pyroelectric
Max Detection Range	5 m (16.4 ft) Typical range at ≤25°C (77°F) Range reduced at higher temperatures

Light Detection (PE)	
Lux Range	5-5,000 lux

Control	
Communication Ports	1 x RS-485
Supported Protocols	DyNet
User Controls	Infrared (RC5 IR remote control) 1 x service switch
Indicators	1 x motion LED (red)

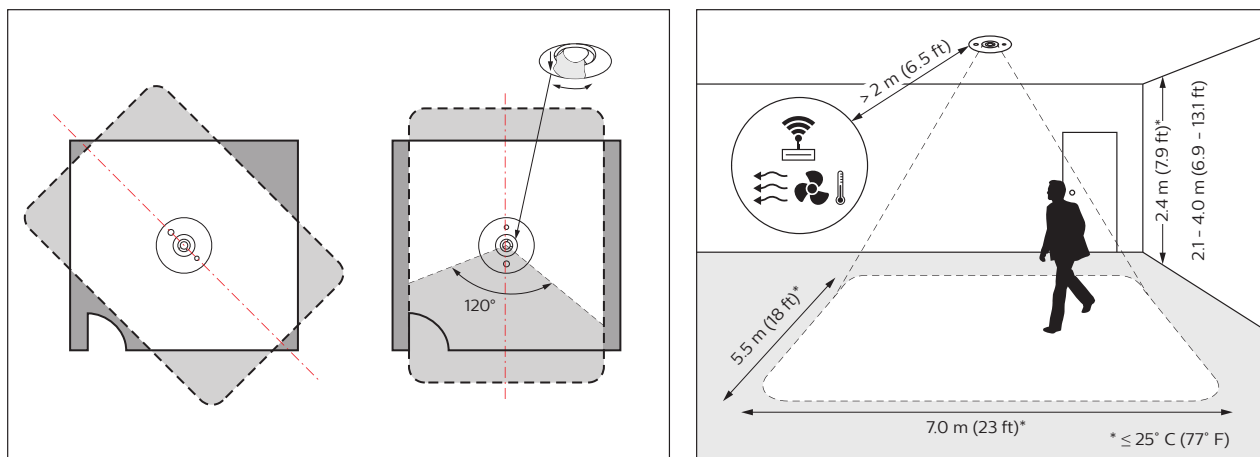
Physical	
Dimensions	41 x 72 mm (1.61 x 2.83 in)
Packed Weight	0.105 kg (0.23 lb)
Construction	Polycarbonate enclosure
Colour	RAL9010 (White) RAL9005 (Black)
Serial Ports	1 x 5-way screw terminal
Serial Port Conductor Size	0.3-2.5 mm² (#22-12 AWG)
Mounting Substrate Thickness	3-25 mm (0.12-0.98 in)

Environment	
Operating Temperature	0° to 45°C ambient (32° to 113°F)
Storage/Transport Temperature	-25° to 70°C ambient (-13° to 158°F)
Relative Humidity	≤90% non-condensing
IEC Pollution Degree	II
Installation Note	For indoor installation only

Compliance	
Certifications	CE, RCM, UL/cUL, FCC, ISED, UKCA
Sustainability	RoHS
IP Rating	IP20
Plenum Rating	UL2043



Detection Area



Ordering Codes

Product		12NC
DUS360CR	RAL9010 (White)	913703689609
DUS360CR-RAL9005	RAL9005 (Black)	913703241009

Accessory		12NC
D-DUS-DINGUS-RJ12-QTY10	Dual RJ12 connector (pack of 10)	913703254409
D-DUS-DINGUS-RJ45-QTY10	Dual RJ45 connector (pack of 10)	913703254609
IRT9090/01	Commissioning & testing RC5 IR remote control	913700359103
DUS180WR	Anti-stumble faceplate (pack of 40)	913703338209