



DUS360CR-DA

Multifunction Sensor

Low profile recessed 360° ceiling sensor

The Philips Dynalite DUS360CR-DA is a recess mountable 360 degree motion sensor that combines motion detection (PIR), infrared remote control reception (IR) and ambient light level detection (PE) into the one device.

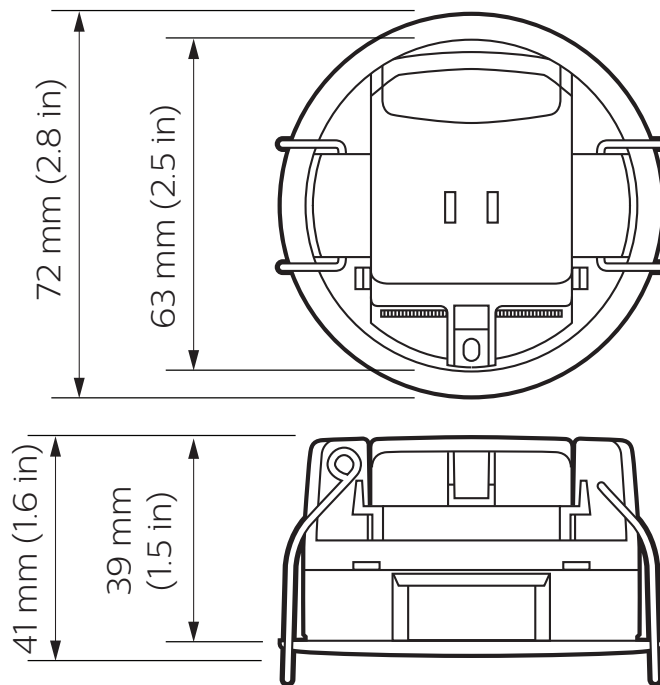
Integrated DIP switches allow physical adjustment of the sensor's area addressing, no-motion time-out period, and corridor hold functionality, for commissioning-free installation and replacement.

DUS360CR-DA

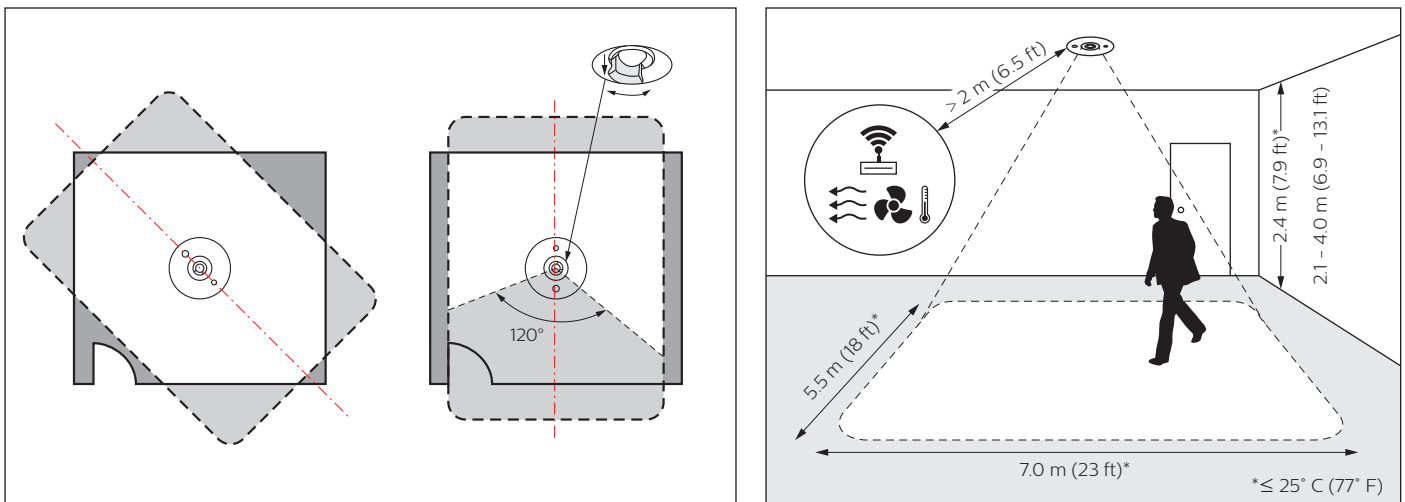
Low profile recessed 360° ceiling sensor

- **Motion detection feature** – Detects the presence or absence of motion and adjusts lights accordingly.
- **Segmented click-up bezel** – Surrounds the motion sensor element and enables a portion of the sensing field to be masked. This prevents nuisance detection from adjacent doorways or corridors.
- **No software set-up** – All functionality can be achieved with the built-in DIP switches for area addressing, no-motion time-out and other advanced features.
- **Rapid configuration** – Up to 31 individual addressing areas of control.
- **User-selectable options** – No-motion time-out selectable to 30 seconds, 5 minutes, 15 minutes or 30 minutes.
- **Corridor hold** – Links corridor areas with adjacent rooms so corridor remains lit while occupancy is detected in adjacent rooms.
- **Suitable for plenum use** – UL2043 certified for installation in air-handling plenum spaces.

Dimensions



Detection Area



Specifications

Due to continuous improvements and innovations, specifications may change without notice.



DUS360CR-DA
Multifunction Sensor

Electrical

Supply Type	DyNet
Supply Voltage	12/24 VDC
Supply Current	10 mA (max)
IEC Overvoltage Category	III

Motion Detection (PIR)

Sensor	Quad element pyroelectric
Maximum Detection Range	5 m (16.4 ft)*
Detection Area	See next page

Light Detection (PE)

Lux Range	5-5000 lux
-----------	------------

Control

Serial Ports	1 x RS-485
Supported Protocols	DyNet
User Input	Infrared (RC5 IR remote control) 1 x service switch Configuration DIP switches
Indicators	1 x red motion LED

* Typical detection range at $\leq 25^{\circ}\text{C}$ (77°F). Range is reduced at higher temperatures.

Physical

Dimensions (H x W)	41 x 72 mm (1.61 x 2.83 in)
Packed Weight	0.105 kg (0.23 lb)
Construction	Polycarbonate plastic enclosure
Color	RAL9010
Serial Ports	1 x 5-way screw terminal +V, D-, D+, GND, SHLD
Screw Terminal Conductor Size	2.5 mm ² (#12 AWG) (max)
Mounting Substrate Thickness	3-25 mm (0.12-0.98 in)

Environment**

Operating Temperature	0° to 45°C ambient (32° to 113°F)
Storage/Transport Temperature	-25° to 70°C ambient (-13° to 158°F)
Humidity	0 to 90% non-condensing
IEC Pollution Degree	II

Compliance

Certification	CE, RCM, UL/cUL, FCC, ICES, UKCA, RoHS
IP Rating	IP20

** For Indoor Installation Only



Ordering Code

Product

DUS360CR-DA	Philips 12NC 913703029309
-------------	-------------------------------------

Accessories

DINGUS-DUS-RJ12-DUAL (dual RJ12 connector - pack of 10)	Philips 12NC 913703064309
DINGUS-DUS-RJ45-DUAL (dual RJ45 connector - pack of 10)	913703064409
IRT9090/01 (commissioning & testing RC5 IR remote control)	913700359103

© 2024 Signify Holding.

All rights reserved. Specifications are subject to change without notice. No representation or warranty as to the accuracy or completeness of the information included herein is given and any liability for any action in reliance thereon is disclaimed. Philips and the Philips Shield Emblem are registered trademarks of Koninklijke Philips N.V. All other trademarks are owned by Signify Holding or their respective owners.



www.dynalite.com

Revision 13 – 2024-01-17