

# DUS30LHB-D

Multifunction Sensor

## Long-range high bay DALI network sensor

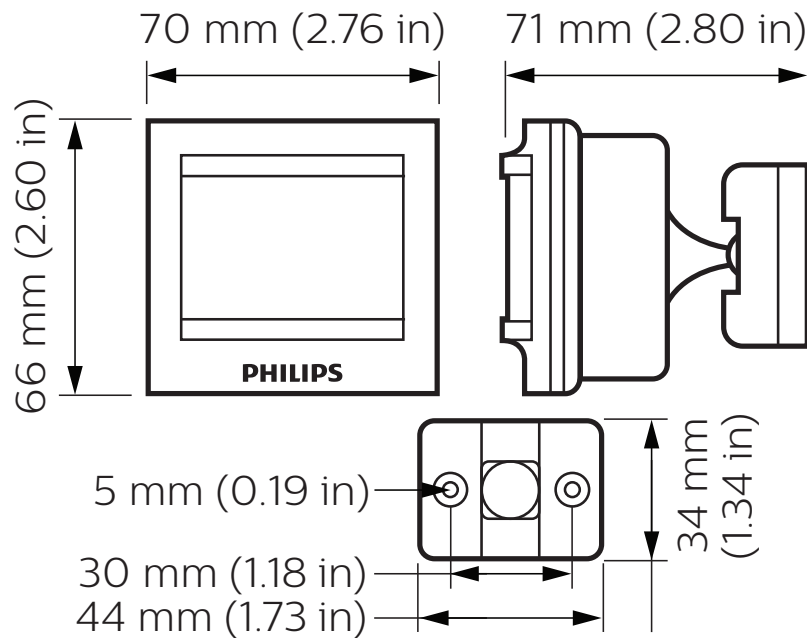
The Philips Dynalite DUS30LHB-D is a 30 degree multifunction sensor that combines motion detection (PIR) and ambient light level detection (PE) in one device. The sensor uses the DALI protocol for power and communications to a network control system, eliminating the need for additional network field wiring. This sensor is useful for long-range detection.

# DUS30LHB-D

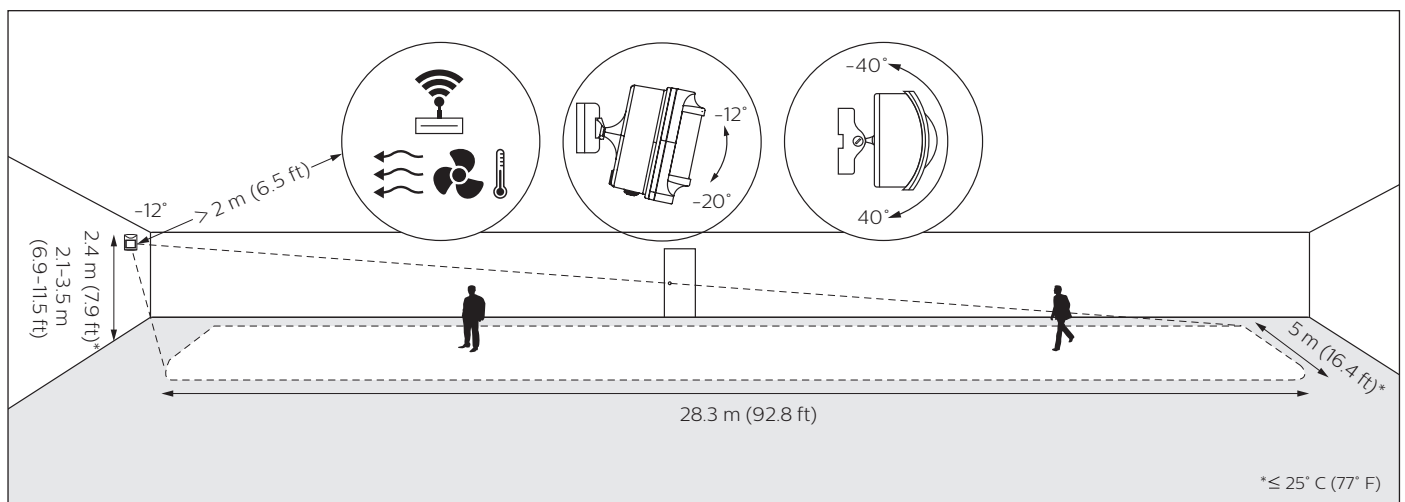
## Long-range high bay DALI network sensor

- **DALI device** – Designed to operate seamlessly with the Philips Dynalite DDBC120-DALI or DDBC320-DALI controller.
- **Powered directly by the DALI network** – Eliminates the need for additional network field wiring.
- **Motion detection feature** – Detects the presence or absence of motion and triggers a programmed action.
- **Ambient light level detection** – In applications where it is critical to maintain precise lighting levels, the PE function reads ambient levels and adjusts artificial light accordingly.
- **Daylight harvesting** – When used in conjunction with networked open loop daylight sensor.
- **Infrared receive capability** – Enables sign-in identification to the networked system.
- **Corridor hold** – Links corridor areas with adjacent rooms so corridor remains lit while occupancy is detected in adjacent rooms.
- **Targeted positioning** – Directional wallmounting block allows sensors to be easily mounted and directed to the required area.

## Dimensions



## Detection Area



# Specifications

Due to continuous improvements and innovations, specifications may change without notice.



**DUS30LHB-D**  
Multifunction Sensor

## Electrical

|                          |              |
|--------------------------|--------------|
| Supply Type              | DALI / ELV   |
| Supply Voltage           | 9.5-22.5 VDC |
| Supply Current           | 9 mA         |
| DALI Insulation          | Basic        |
| IEC Overvoltage Category | III          |

## Motion Detection (PIR)

|                         |                           |
|-------------------------|---------------------------|
| Sensor                  | Dual element pyroelectric |
| Maximum Detection Range | 30.5 m (100 ft)*          |
| Scan Beam Angle         | 30°                       |
| Detection Area          | See next page             |

## Light Detection (PE)

|           |              |
|-----------|--------------|
| Lux Range | 5-10,000 lux |
|-----------|--------------|

## Control

|              |  |
|--------------|--|
| Serial Ports | 1 x DALI   |
| User Input   | Infrared (RC5 IR remote control)<br>1 x service switch |
| Indicators   | 1 x red motion LED                                     |

\* Typical detection range at  $\leq 25^{\circ}\text{C}$  (77°F). Range is reduced at higher temperatures.

## Physical

|                                 |   |
|---------------------------------|---|
| Dimensions (H x W x D)          | 66 x 70 x 71 mm (2.60 x 2.76 x 2.80 in) |
| Packed Weight                   | 0.116 kg (0.26 lb)                      |
| Construction                    | Polycarbonate plastic enclosure         |
| Color                           | White (RAL9010)                         |
| Serial Ports                    | 1 x 2-way screw terminal                |
| Screw Terminal Conductor Size** | 0.75 mm <sup>2</sup> (#18 AWG) (max)    |

## Environment

|                               |                                      |
|-------------------------------|--------------------------------------|
| Operating Temperature         | -5° to 50°C ambient (23° to 122°F)   |
| Storage/Transport Temperature | -25° to 70°C ambient (-13° to 158°F) |
| Humidity                      | 0 to 90% non-condensing              |
| IEC Pollution Degree          | II                                   |

## Compliance

|               |   |
|---------------|---|
| Certification | CE, RCM, UKCA, RoHS                                       |
| IP Rating     | IP40<br>(When installed as per manufacturer instructions) |

\*\* Fly lead included.



## Ordering Code

### Product

DUS30LHB-D

Philips 12NC

913703015609

### Accessories

IRT9090/01 (commissioning & testing RC5 IR remote control)

Philips 12NC

913700359103

© 2025 Signify Holding.

All rights reserved. Specifications are subject to change without notice. No representation or warranty as to the accuracy or completeness of the information included herein is given and any liability for any action in reliance thereon is disclaimed. Philips and the Philips Shield Emblem are registered trademarks of Koninklijke Philips N.V. All other trademarks are owned by Signify Holding or their respective owners.



[www.dynalite.com](http://www.dynalite.com)

Revision 10 – 2025-04-15