

DUS30CS

Multifunction Sensor



Specification Sheet

Sensors > Directional



Wall/ceiling mount 30° multifunction sensor

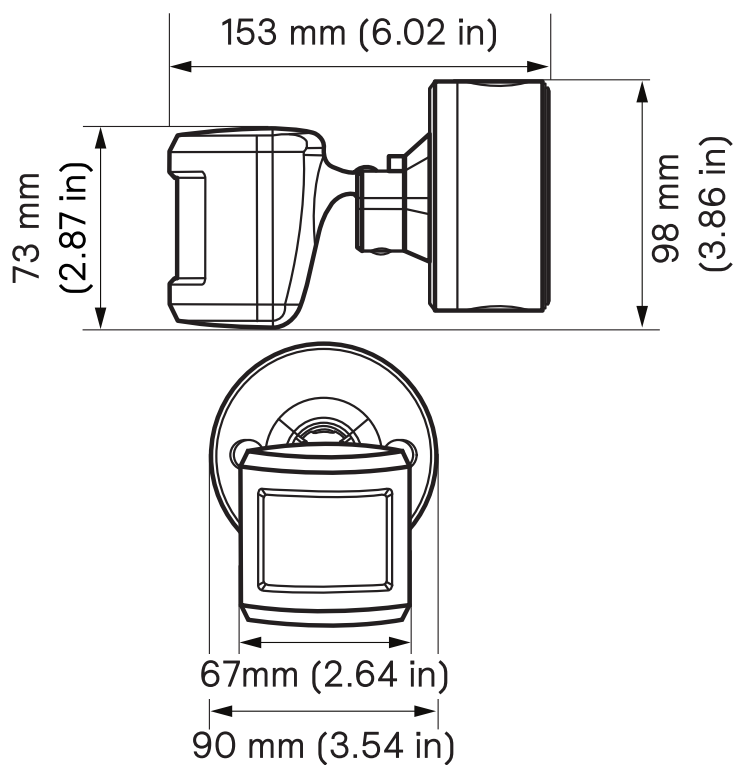
The Dynalite DUS30CS is a wall/ceiling-mountable multifunction sensor that combines motion detection (PIR), infrared remote control reception (IR), and ambient light level detection (PE) into one device for applications such as offices, lecture theaters, and residential.

Manufactured with an IP54 rating, the DUS30CS is resistant to dust and splashing, making it suitable for use in both indoor and sheltered outdoor areas.

Key Features

- **Motion detection** - Detects the presence or absence of motion and adjusts lights accordingly. The sensor has a 30° scan pattern with flexible angle adjustment.
- **Ambient light level regulation** - In applications where precise, even lighting is critical, the PE function measures ambient levels and adjusts artificial light accordingly.
- **Infrared receive capability** - Inbuilt IR sensor lets you manually adjust light levels using a compatible hand-held RC5 IR remote.
- **Daylight harvesting mode** - Delivers automatic energy savings.
- **Multiple mounting options** - Surface mount (wall/ceiling), or partially recessed (ceiling only) using the supplied junction box or butterfly clips.
- **IP54 rating** - dust- and splash-resistant housing supports a variety of indoor and outdoor applications.

Dimensions



Specifications

Electrical	
Supply Type	DyNet
Supply Voltage	12/24 VDC
Supply Current	20 mA max
IEC Overvoltage Category	II

Motion Detection (PIR)	
Sensor	Dual element pyroelectric
Max Detection Range	30.5 m (100 ft) Typical range at $\leq 25^{\circ}\text{C}$ (77°F) Range reduced at higher temperatures
Scan Beam Angle	30°

Light Detection (PE)	
Lux Range	5-10,000 lux

Control	
Communication Ports	1 x RS-485
Supported Protocols	DyNet
User Controls	Infrared (RC5 IR remote control, 6m range)
Indicators	1 x motion LED (red)

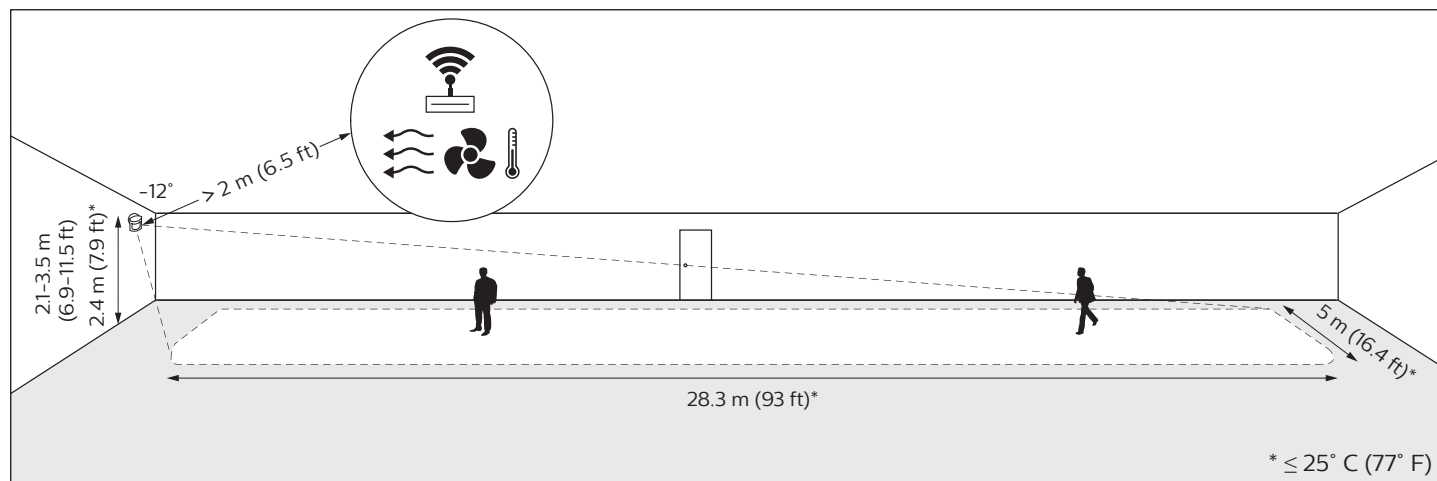
Physical	
Dimensions	98 x 90 x 153 mm (3.86 x 3.54 x 6.02 in)
Packed Weight	0.26 kg (0.57 lb)
Construction	Polycarbonate enclosure
Colour	RAL9010 (White)
Serial Ports	1 x screw terminal
Serial Port Conductor Size	0.3-2.5 mm ² (#22-12 AWG)

Environment	
Operating Temperature	-20° to 45°C ambient (-4° to 113°F)
Storage/Transport Temperature	-25° to 70°C ambient (-13° to 158°F)
Relative Humidity	$\leq 90\%$ non-condensing
IEC Pollution Degree	II

Compliance	
Certifications	CE, RCM, UL/cUL, FCC, ISED, UKCA
Sustainability	RoHS
IP Rating	IP54 (When installed per manufacturer instructions)



Detection Area



Ordering Codes

Product	12NC
DUS30CS	913703244309

Accessory		12NC
D-DUS-DINGUS-RJ12-QTY10	Dual RJ12 connector (pack of 10)	913703254409
D-DUS-DINGUS-RJ45-QTY10	Dual RJ45 connector (pack of 10)	913703254609
IRT9090/01	Commissioning & testing RC5 IR remote control	913700359103