

DADPA

Antumbra Display US/ANZ

©ignify
Dynalite

Specification Sheet

User Interfaces > Antumbra



Contemporary button panel with colour LCD

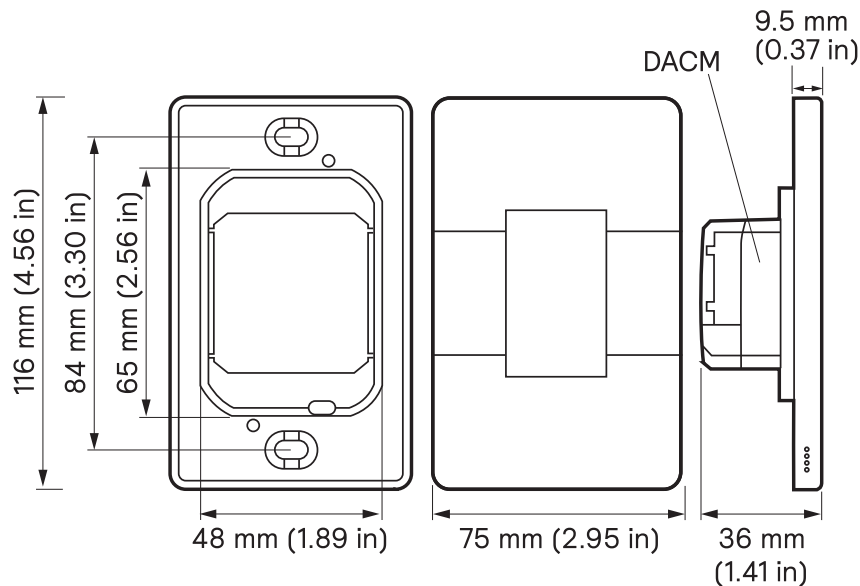
The Antumbra Display user interface provides a central display to present multiple pages of functions and system information. It incorporates the latest in field effect technology.

The contemporary design features a number of button configurations, with each button capable of local or site-wide control functions. The DADPA range is suitable for, but not limited to, North American, South American, Australian, and New Zealand markets.

Key Features

- **Field effect proximity detection** – The user interface detects an approaching user and 'wakes up', initiating a wall-wash lighting effect to encourage interaction (mounting plate must be grounded to avoid false triggering from nearby ungrounded metal objects).
- **Supplied as two components** – The Application Module contains buttons, rim, base, and mounting plate, which can be mixed and matched to suit décor. The Communication Module contains all of the logical and network functions and is pre-programmed off-site, allowing commissioning to commence prior to finish options being finalised.
- **Hidden sensory inputs** – Built-in temperature and humidity sensors automatically adjust air conditioning when integrated into the system.
- **Colour LCD** – Navigate up to 16 pages of button functions and system information such as temperature, time, channel level, and current scene.
- **Multiple language and icon labelling** – Button labelling language choices include English, Chinese, and Arabic. A library of common icons transcends language barriers, which is particularly useful in hospitality applications.
- **Décor-matching options** – Buttons and rims are available in a range of attractive polycarbonate and metallic finishes.

Dimensions



Specifications

Electrical	
Supply Type	DyNet
Supply Voltage	12–24 VDC (SELV/Class 2)
Supply Current	90 mA @ 12 VDC 50 mA @ 24 VDC
IEC Overvoltage Category	III

Display	
Display Type	TFT-LCD
Display Resolution	480 x 272 px
Viewable Area	53.3 x 30.2 mm (2.1 x 1.19 in)
Viewing Angle	80°

Application Module	
User Controls	6 x software-configurable buttons
Indicators	White indicator LED on each button White wall-wash backlight
Temperature Sensor Range	5° to 40°C (41° to 104°F)
Temperature Sensor Accuracy	± 1°C (± 1.8°F)
Humidity Sensor Accuracy	± 5%

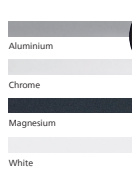
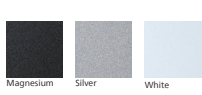
Communication Module	
Serial Ports	1 x RS-485
Supported Protocols	DyNet
User Controls	1 x service switch
Indicators	1 x service LED

Physical	
Dimensions	116 x 75 x 36 mm (4.57 x 2.95 x 1.42 in) (Fully assembled)
Packed Weight	Application module: 0.2 kg (0.44 lb) Communication module: 0.12 kg (0.25 lb)
Serial Ports	1 x 5-way pluggable screw terminal
Serial Port Conductor Size	0.3–2.5 mm ² (#22–12 AWG)

Environment	
Operating Temperature	–5° to 50°C ambient (23° to 122°F)
Storage/Transport Temperature	–25° to 60°C ambient (–13° to 140°F)
Relative Humidity	≤90% non-condensing
IEC Pollution Degree	II
Installation Note	Indoor installation only

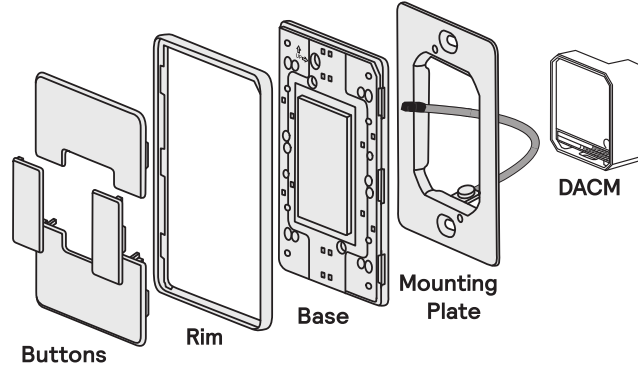
Compliance	
Certifications	CE, RCM, FCC, UL/cUL, ISED, UKCA
Sustainability	RoHS
IP Rating	IP22

Available Finishes



DADPA Specification Sheet

Antumbra Display US/ANZ Assembly



Ordering Codes

Application Module Ordering Codes

The Application Module contains the buttons, rim, base and mounting plate. The buttons and rim are available in the range of finishes shown below. The base contains all the sensors and LED indicators. Sensitive components are enclosed by a rubber envelope to give an IP22 rating, allowing installation in high-condensation environments such as bathrooms.

A metal mounting plate attaches the Antumbra panel securely to the wall, ensuring stable, reliable operation.

DADPA-SM-X

Button Finish		Rim Finish	Button Labelling
<u>Lacquer (Polycarbonate)</u>	<u>Luxe (Metallic)</u>	A = Aluminium	X = Not Available
M = Magnesium	A = Aluminium	C = Chrome	
S = Silver	G = Gold	M = Magnesium	
W = White	J = Jet	W = White	
	N = Noir		
	P = Prestige		
	V = Vintage		

Communication Module Ordering Code

The Communication Module is compatible with all interfaces across the Antumbra series, and can be ordered, programmed, installed, wired, and tested without the Application Module attached.

This allows the commissioning process to begin before the final finish options have been chosen, or during construction, and protects the Application Module from damage until the site is ready for occupancy.



Product	12NC
DACM-DyNet	DyNet communication module 913703072809

Accessory	12NC
DINGUS-DUS-DUAL-RJ12	Dual RJ12 connector - pack of 10 913703064309
DINGUS-UI-DUAL-RJ45	Dual RJ45 connector - pack of 10 913703334609

Due to continuous improvements and innovations, specifications may change without notice.

dynamalite.com