

DLLI8180

Dry Contact Interface

Eight-way dry contact interface

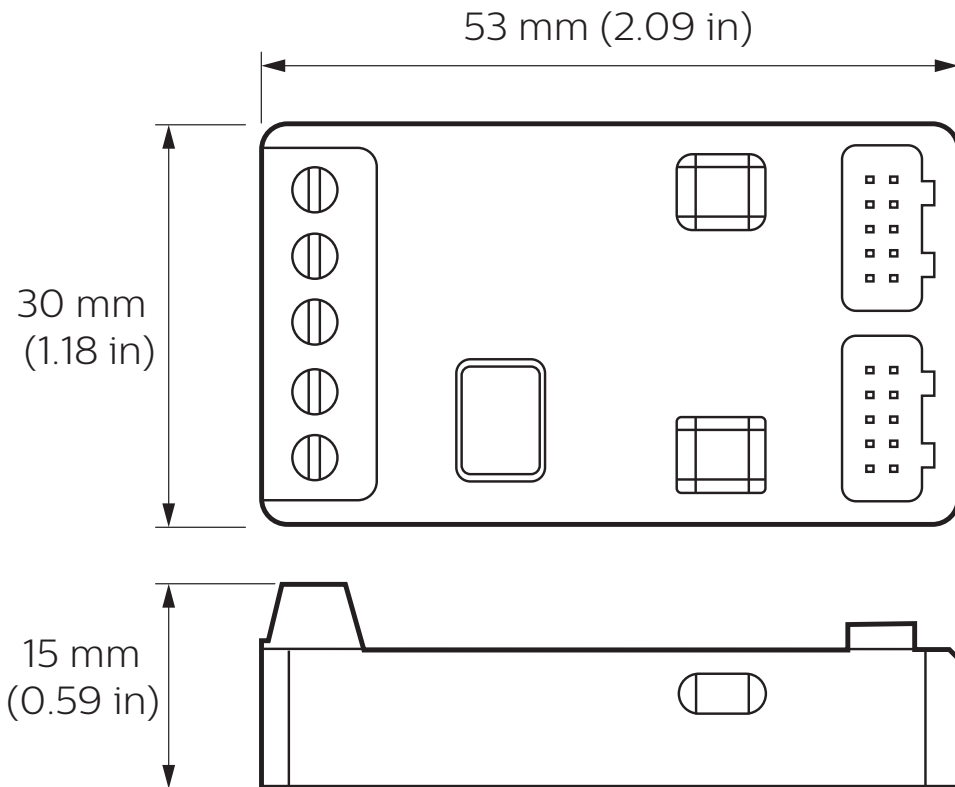
The Philips Dynalite DLLI8180 is an eight-way dry contact interface with LED indicator outputs, that allows mechanical and electronic switches to communicate directly to the DyNet network.

DLLI8180

Eight-way dry contact interface

- **Compact size** – Allows installation in electrical wall boxes for easy integration with third-party user interfaces.
- **Eight dry contact inputs** – Each dry contact trigger is individually programmable for a range of tasks.
- **Eight indicator outputs** – Each output is individually programmable to drive an external LED indicator sharing a common cathode, communicating current system status or settings.
- **Allows up to 20 m cable runs** – Enables convenient connection to dry contact interfaces in multiple rooms.

Dimensions



Specifications

Due to continuous improvements and innovations, specifications may change without notice.



DLLI8180
Dry Contact Interface

Electrical

Supply Type	DyNet
Supply Voltage	12-24 VDC
DyNet Supply Current	30 mA
Dry Contact Open Switch Voltage	12 VDC (max)
Dry Contact Closed Switch Current	0.4 mA (max)
LED Output Channels	8
LED Output Channel Current	1.65 mA
IEC Overvoltage Category	III

Control

Communication Ports	1 x RS-485
Supported Protocols	DyNet
Dry Contact Inputs	8
User Inputs	1 x service switch
Diagnostic Functions	Device online/offline status

Physical

Dimensions (H x W x D)	53 x 30 x 15 mm (2.09 x 1.18 x 0.59 in)
Flylead Length	150 mm (5.91 in)
Packed Weight	50 g (0.11 lb)
Construction	Plastic housing
Communication Ports	5 x screw terminal
Communication Terminal Conductor Size	1.5 mm ² (#16 AWG) (max)

Environment*

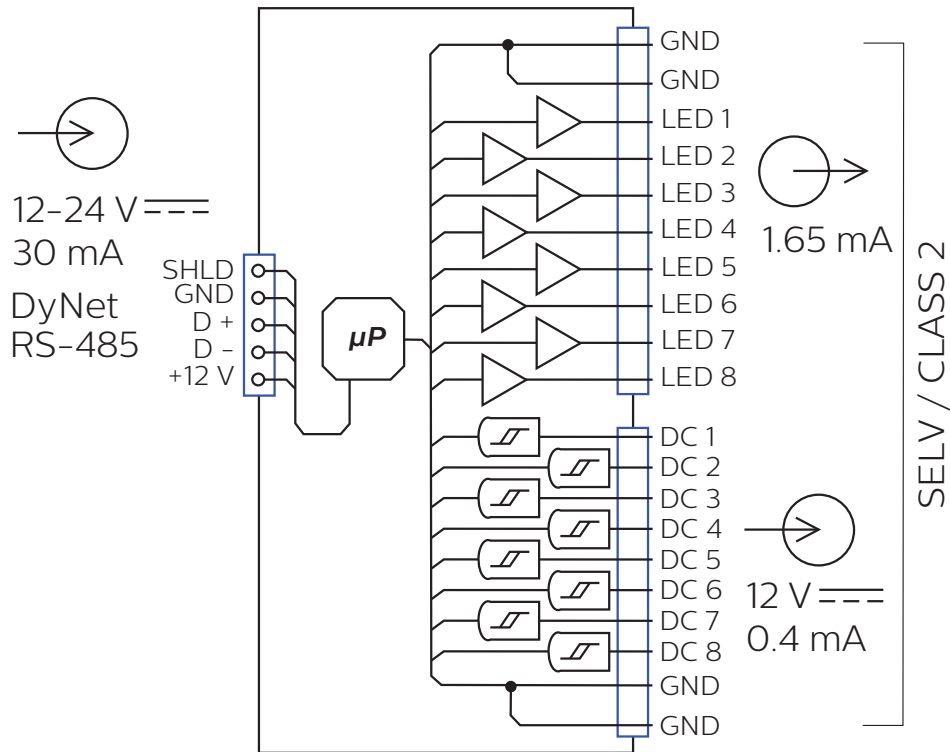
Operating Temperature	0° to 40°C ambient (32° to 104°F)
Storage/Transport Temperature	-25° to 70°C ambient (-13° to 158°F)
Relative Humidity	0 to 90% non-condensing
IEC Pollution Degree	II

Compliance

Certification	CE, RCM, UL/cUL, FCC, ICES, UKCA, RoHS
---------------	----------------------------------------

* For indoor installation only

Electrical



Ordering Code

Product

DLLI8180

DLLI8180 (pack of 5)

Philips 12NC

913703023009

913703369209

© 2024 Signify Holding.

All rights reserved. Specifications are subject to change without notice. No representation or warranty as to the accuracy or completeness of the information included herein is given and any liability for any action in reliance thereon is disclaimed. Philips and the Philips Shield Emblem are registered trademarks of Koninklijke Philips N.V. All other trademarks are owned by Signify Holding or their respective owners.



www.dynalite.com

Revision 06 – 2024-07-03